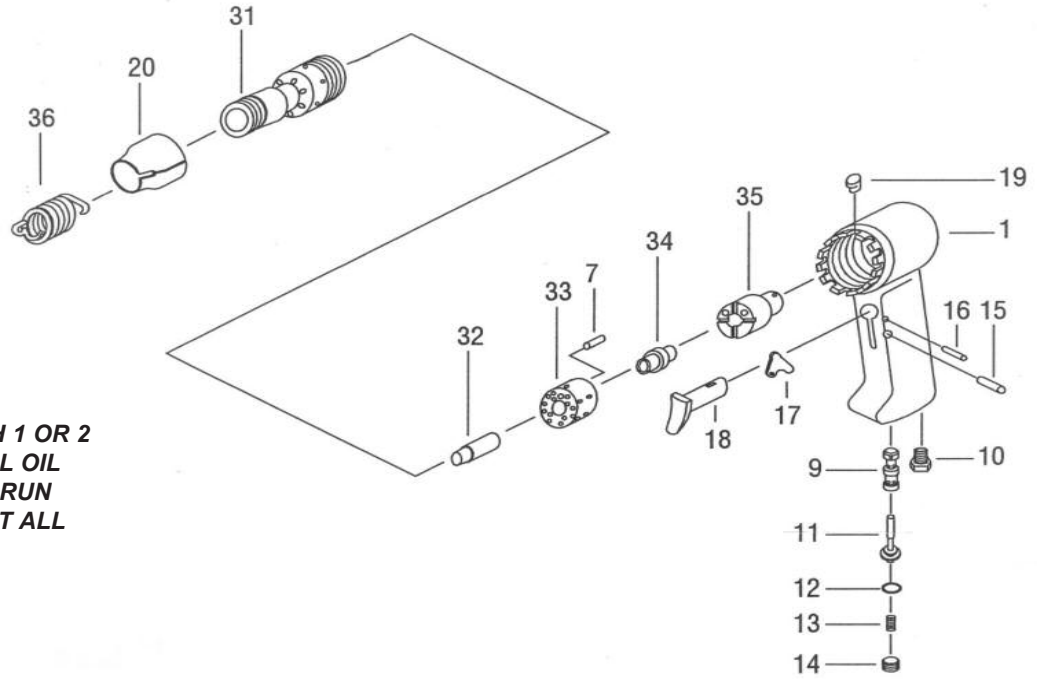


T-1X Aircraft Riveting Hammer

.401 Special short shank



OILING INSTRUCTIONS:

OIL AFTER EACH USE WITH 1 OR 2 TABLESPOONS OF AIRTOOL OIL THROUGH THE AIR INLET. RUN FOR ONE SECOND TO COAT ALL INTERNAL PARTS.

USE 90 PSI MAXIMUM

Ref.#	Part #	Description	Qty.
1	234X01	Handle	1
1A	234X01A	Handle Complete	1
7	234X07	Pin	1
9	234X09	Throttle Bushing	1
10	234X10	Inlet Bushing	1
11	234X11	Valve Stem	1
12	234X12	"O" Ring	1
13	234X13	Spring	1
14	234X14	Plug	1
15	234X15	Pin	1
16	234X16	Pin	1

Ref.#	Part #	Description	Qty.
17	234X17	Assist Lever	1
18	234X18A	Trigger	1
19	234X19	Stopper Pin	1
20	234X20	Exhaust Cover	1
31	1X31	Cylinder	1
32	1X32	Piston	1
33	1X33	Valve Box	1
34	1X34	Valve	1
35	1X35	Valve Seat	1
36	1X36	Retainer Spring	1

505 N.Railroad Ave.
P.O. Box 1117
Boynton Beach, Florida 33435

SEE OUR CATALOG
at
www.taylorpneumatic.com

PH. 561-732-1111
FAX 561-731-4412
Tool Free 800-805-8665

11/07TPTCDPT
all rights reserved
COPYRIGHT 2007
final