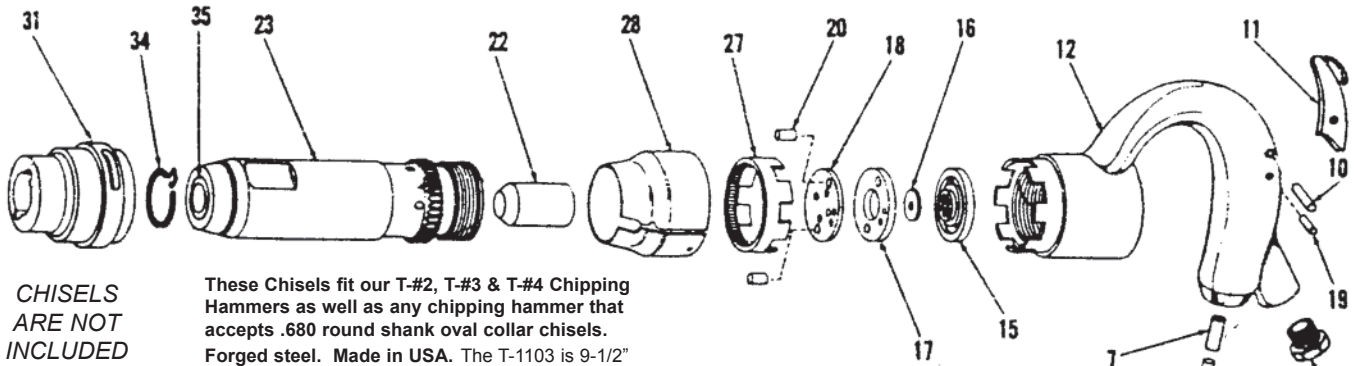






T-#2 Chipping Hammer
T-#3 Chipping Hammer
T-#4 Chipping Hammer



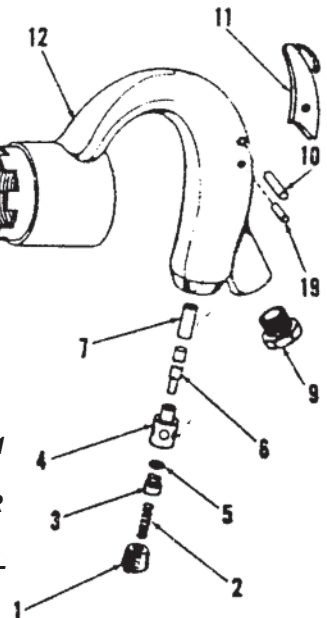
CHISELS ARE NOT INCLUDED WITH THE TOOL

These Chisels fit our T-#2, T-#3 & T-#4 Chipping Hammers as well as any chipping hammer that accepts .680 round shank oval collar chisels. Forged steel. Made in USA. The T-1103 is 9-1/2" long. The other three chisels available in 9", 12" or 18" length.

- T-1101 W2** Wide Chisel 
- T-1103** Bushing Tool 
- T-1108** Cold Chisel 
- T-1180** Moil Point 

OILING INSTRUCTIONS:

OIL AFTER EACH USE WITH 1 OR 2 TABLESPOONS OF AIR-TOOL OIL THROUGH THE AIR INLET. RUN FOR ONE SECOND TO COAT ALL INTERNAL PARTS.



USE 90 PSI MAXIMUM

Ref.#	Part #	Description	Qty.
1	#23401N3	Plug-Throttle Valve	1
2	#23402N3	Spring-Throttle Valve	1
3	#23403N3	Throttle Valve	1
4	#23404N3	Bushing	1
5	#23405N3	"O" Ring	1
6	#23406N3	Pin	1
7	#23407N3	Bushing	1
9	#23409N3	Air Inlet	1
10	#23410N3	Pin	1
11	#23411N3	Throttle Lever	1
12	#23412N3	Complete Handle	1
15	#23415N3	Upper Valve Case	1
16	#23416N3	Flipper Valve	1
17	#23417N3	Valve	1

Ref.#	Part #	Description	Qty.
18	#23418N3	Lower Valve Case	1
19	#23419N3	Pin	1
20	#23420N3	Pin	2
22	#222N3	Piston for #2	1
	#322N3	Piston for #3	1
	#422N3	Piston for #4	1
23	#223N3	Cylinder	1
	#323N3	Cylinder	1
	#423N3	Cylinder	1
27	#23427N3	Lock	1
28	#23428N3	Shield-Lock	1
31	#23431N3	Sleeve-Retainer	1
34	#23434N3	Lockcoil Spring	1
35	#23435N3	Bushing-Cylinder	1
OPTIONAL ACCESSORIES			
	T-7516	Optional Quick Change Retainer	
	T-#23451		

505 N. Railroad Ave.
P.O. Box 1117
Boynton Beach, Florida 33435

SEE OUR CATALOG
at

PH. 561-732-1111
FAX 561-731-4412
Toll Free 800-805-8665

06/08 TPTDPT
all rights reserved
COPYRIGHT 2008
final