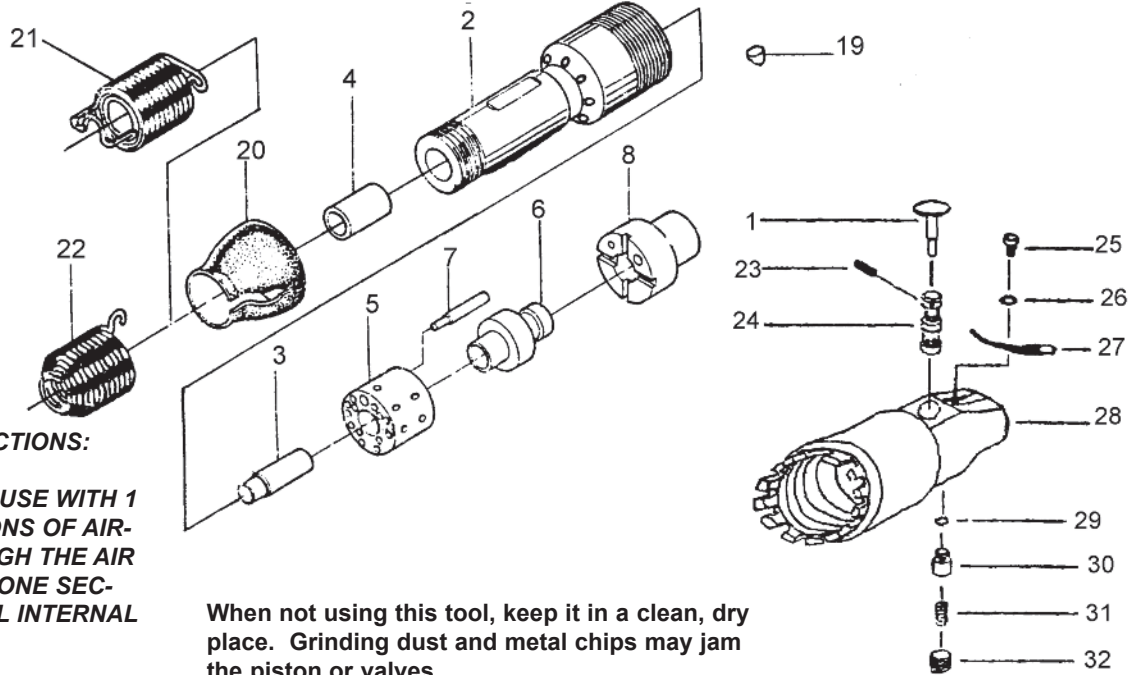


# T-2XS T-3XS T-4XS

# Aircraft Riveting Hammers



For use with .401 shank rivet sets and chisels



### OILING INSTRUCTIONS:

**OIL AFTER EACH USE WITH 1 OR 2 TABLESPOONS OF AIR-TOOL OIL THROUGH THE AIR INLET. RUN FOR ONE SECOND TO COAT ALL INTERNAL PARTS.**

When not using this tool, keep it in a clean, dry place. Grinding dust and metal chips may jam the piston or valves.

### USE 90 PSI MAXIMUM

Ref.#	Part #	Description	Qty.
1	234XS01	Throttle Button	1
2	2X02	2X Cylinder	1
2	3X02	3X Cylinder	1
2	4X02	4X Cylinder	1
3	2X03	2X Piston	1
3	34X03	3X Piston	1
3	34X03	4X Piston	1
4	234X04	Bushing	1
5	234X05	Valve Box	1
6	234X06	Valve	1
7	234X07	Pin	1
8	234X08	Valve Seat	1
19	234X19	Pin	1
20	234X20	Exhaust Cover	1

Ref.#	Part #	Description	Qty.
22	T-5210	Beehive Spring	1
21	T-5120	Quick Change Spring	1 (Optional)
23	234XS23	Roll pin	1
24	234XS24	Throttle Bushing	1
25	234XS25	Hex Bolt	1
26	234XS26	Spring Washer	1
27	234XS27	Adjusting Bar	1
28	234XS28	Handle	1
	234XS28C	Handle Complete	1
29	234XS29	"O" Ring	1
30	234XS30	Valve	1
31	234XS31	Spring	1
32	234XS32	Plug	1

505 N. Railroad Ave.  
P.O. Box 1117  
Boynton Beach, Florida 33435

**SEE OUR CATALOG**  
@  
[www.taylorpneumatic.com](http://www.taylorpneumatic.com)

PH. 561-732-1111  
FAX 561-731-4412  
Toll Free 800-805-8665

06/08TPTCDPT  
all rights reserved  
COPYRIGHT 2008  
final