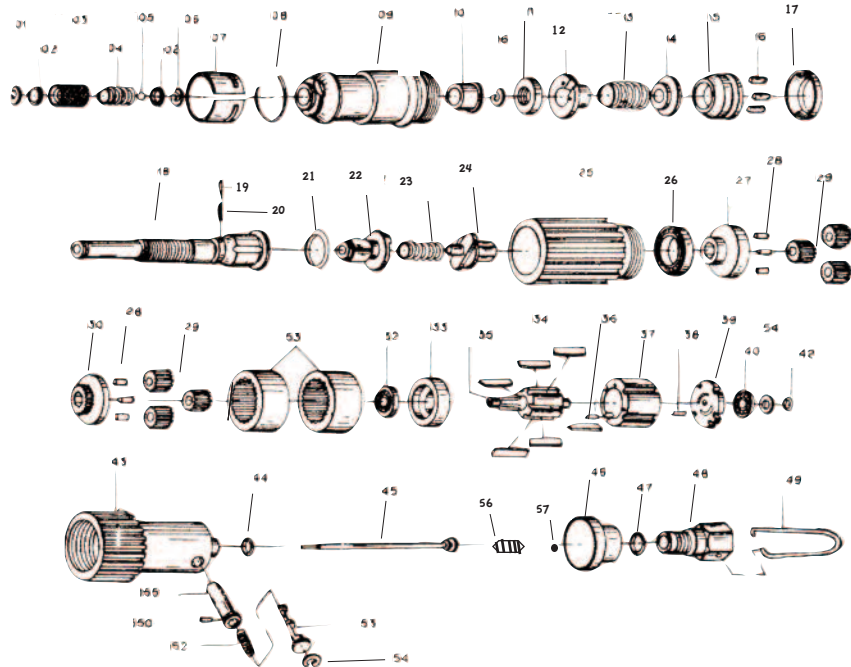
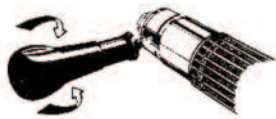


T-2440EX Straight Production Screwdriver



Adjusting Torque:
use included screw-
driver to turn left for
higher torque or right
for lower torque

OILING INSTRUCTIONS:

OIL AFTER EACH USE
WITH 1/2 to 1 TABLE-
SPOONS OF AIRTOOL OIL
THROUGH THE AIR INLET.
RUN FOR ONE SECOND
TO COAT ALL INTERNAL
PARTS.

USE 90 PSI MAXIMUM

Ref.#	Part #	Description	Qty.
1	2440EX01	Retaining Ring	1
2	02	Retaining Washer	2
3	03	Ball Retainer	1
4	04	Spring	1
5	05	Ball	1
6	06	Retaining Ring	2
7	07	Cover	1
8	08	Spring	1
9	09	Front Housing	1
10	10	Bushing	1
11	11	Adjusting Nut	1
12	12	Adjusting Nut Plate	1
13	13A,B,C	Spring (three different ranges)	3
14	14	Spring Set	1
15	15	Bearing Case	1
16	16	Pin	3
17	17	Bearing Case	1
18	18	Clutch Spindle	1
19	19	Switch Pin	1
20	20	Spring	1
21	21	"O" Ring	1
22	22	Eccentric Rod	1
23	23	Spring	1
24	24	Dog	1
25	25	Gear Housing	1
25	26	Bearing	1
27	27	Cage	1
28	28	Pin	6
29	29	Gear	6
30	30	Gear Cage	1

Ref.#	Part #	Description	Qty.
31	2440EX31	Ring Gear	2
32	32	Bearing	1
33	33	Front End Plate	1
34	34	Vanes (6 per set)	1 Set
35	35	Rotor	1
36	36	Pin	1
37	37	Cylinder	1
38	38	Pin	1
39	39	Rear End Plate	1
40	40	Bearing	1
41	41	Washer	1
42	42	"O" Ring	1
43	43	Handle	1
44	44	"O" Ring	1
45	45	Switch Pin	1
46	46	Exhaust Cover	1
47	47	"O" Ring	1
48	48	Air Inlet	1
49	49	Bail	1
50	50	Pin	1
51	51	Reverse Bushing	1
52	52	Spring	1
53	53	Valve Stem	1
54	54	Reverse Retainer	1
55	55	Screwdriver (not shown)	1
56	56	Spring	1
57	57	Ball Valve	1

505 N. Railroad Ave.
P.O. Box 1117
Boynton Beach, Florida 33435

SEE OUR CATALOG
at
www.taylorpneumatic.com

PH. 561-732-1111
FAX 561-731-4412
Toll Free 800-805-8665

11/07TPTCDPT
all rights reserved
COPYRIGHT 2007
final