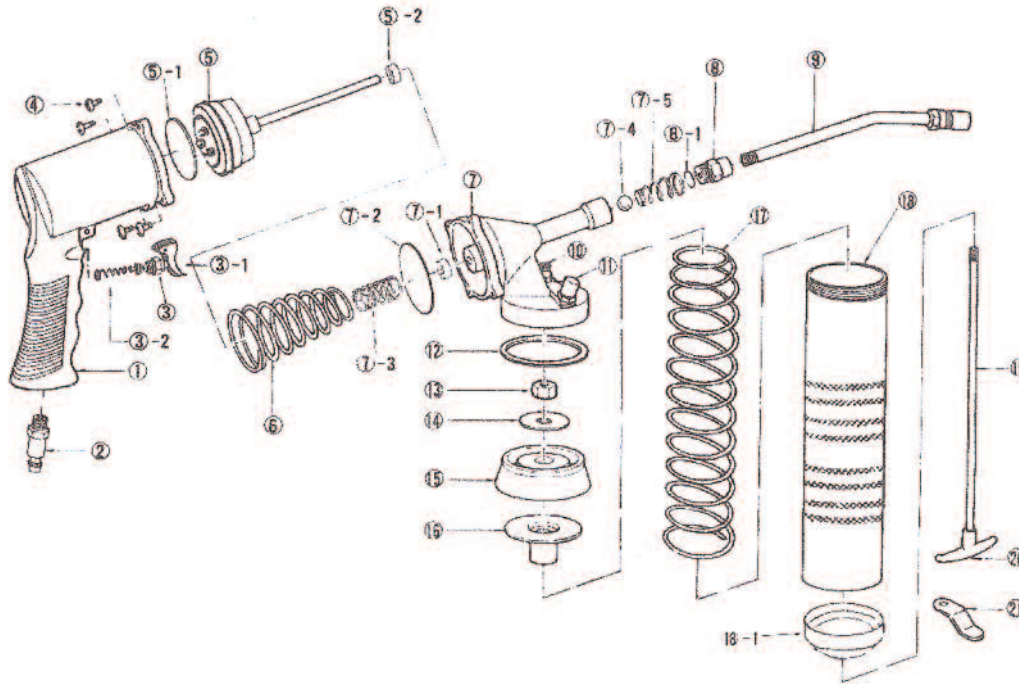


T-3010 Grease Gun



USE 90 PSI MAXIMUM

Ref.#	Part #	Description	Qty.
1	301001	Handle	1
2	301002	Fitting	1
3	301003	Trigger Valve	1
3-1	301004	Screw	4
3-2	301005	Piston	1
4	301006	Spring	1
5	301007	Cap	1
5-1	301008	Piston Ring	1
5-2	301009	Gasket	1
6	301010	Spring	1
7	301011	Housing Cap	1
7-1	301012	Gasket	1
7-2	301013	Housing Ring	1
7-3	301014	Spring	1
7-4	301015	Ball	1
7-5	301016	Spring	1

Ref.#	Part #	Description	Qty.
8	301017	Adapter	1
8-1	301018	Adapter Ring	1
9	301019	Nozzle Tube	1
10	301020	Vent Valve	1
11	301021	Filler Plug	1
12	301022	Gasket	1
13	301023	Nut	1
14	301024	Washer	1
15	301025	Plunger	1
16	301026	Gasket	1
17	301027	Spring	1
18	301028	Tube	1
18-1	301029	Bottom Cap	1
19	301030	Plunger Rod	1
20	301031	Plunger Handle	1
21	301032	Catch Plate	1

505 N. Railroad Ave.
P.O. Box 1117
Boynton Beach, Florida 33435

SEE OUR CATALOG
at
www.taylorpneumatic.com

PH. 561-732-1111
FAX 561-731-4412
Toll Free 800-805-8665

09/06 TPTCDPT
all rights reserved
COPYRIGHT 2006