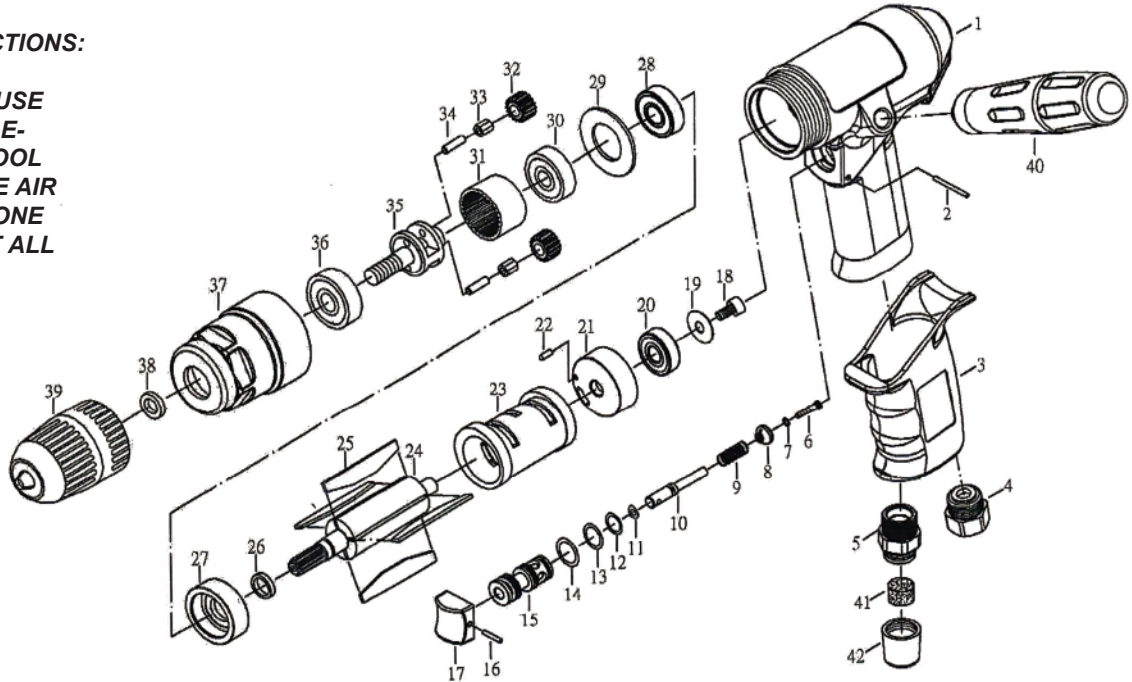


T-5540 3/8" 2 SPEED 4000 RPM DRILL T-5540K/T-5540SPC



OILING INSTRUCTIONS:

OIL AFTER EACH USE WITH 1 OR 2 TABLE-SPOONS OF AIRTOOL OIL THROUGH THE AIR INLET. RUN FOR ONE SECOND TO COAT ALL INTERNAL PARTS.



USE 90 PSI MAXIMUM

Ref.#	Part #	Description	Qty.
1	554001	Handle	1
2	554002	Pin	1
3	554003	Rubber Grip	1
4	554004	Air Inlet	1
5	554005	Exhaust	1
6	554006	Valve Stem	1
7	554007	O-Ring	1
8	554008	Valve Stem Bushing	1
9	554009	Spring	1
10	554010	Valve Stem	1
11	554011	O Ring	1
12	554012	O Ring	1
13	554013	O Ring	1
14	553014	O Ring	1
15	554015	Bushing	1
16	554016	Pin	1
17	554017	Trigger	1
18	554018	Screw	1
19	554019	Washer	1
20	554020	Bearing	1
21	554021	Rear End Plate	1
22	554022	Pin	1

Ref.#	Part #	Description	Qty.
23	554023	Cylinder	1
24	554024	Rotor	1
25	554025	Rotor Blade(4 per set)	1 set
26	554026	Spacer	1
27	554027	Front End Plate	1
28	554028	Bearing	1
29	554029	Washer	1
30	554030	Bearing	1
31	554031	Ring Gear	1
32	554032	Idler Gear	2
33	554033	Needle Bearing	2
34	554034	Pin	2
35	553035	Gear Plate	1
36	554036	Bearing	1
37	554037	Clamp Nut	1
38	554038	Spacer	1
39	T-7768R-SPC	3/8"Chuck and Key	
39B	T-7788-KC	Composite Keyless Ck	
40	554040	Auxillary Handle	1
41	554041	Silencer	1
42	554042	Sleeve	1

505 N. Railroad Ave.
P.O. Box 1117
Boynton Beach, Florida 33435

SEE OUR CATALOG
at
www.taylorpneumatic.com

PH. 561-732-1111
FAX 561-731-4412
Toll Free 800-805-8665

03/12 TPTCDPT
all rights reserved
COPYRIGHT 2012
final