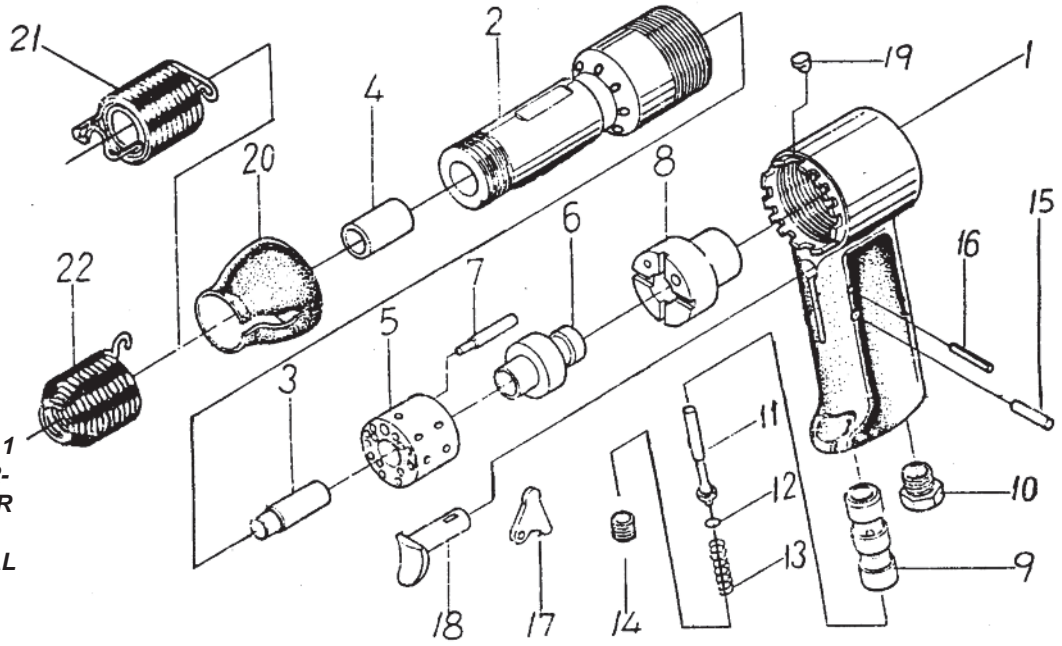


**T-5X
T-7X
T-9X**

**Aircraft
Riveting
Hammers**



OILING INSTRUCTIONS:

OIL AFTER EACH USE WITH 1 OR 2 TABLESPOONS OF AIR-TOOL OIL THROUGH THE AIR INLET. RUN FOR ONE SECOND TO COAT ALL INTERNAL PARTS.

USE 90 PSI MAXIMUM

Ref.#	Part #	Description	Qty.
1	579X01	Handle	1
1	579X01A	Complete Handle	1
2	5X02	5X Cylinder	1
2	7X02	7X Cylinder	1
2	9X02	9X Cylinder	1
3	579X03	579X Piston	1
4	579X04	Bushing	1
5	579X05	Valve Box	1
6	579X06	Valve	1
7	579X07	Pin	1
8	579X08	Valve Seat	1

Ref. #	Part #	Description	Qty.
9	579X09	Throttle Bushing	1
10	579X10	Inlet Bushing	1
11	579X11	Valve Stem	1
12	579X12	"O" Ring	1
13	579X13	Spring	1
14	579X14	Plug	1
15	579X15	Pin	1
16	579X16	Pin	1
17	579X17	Assistant Lever	1
18	579X18A	Trigger	1
19	579X19	Stop Pin	1
20	579X20	Exhaust Cover	1
21	T-6120	Quick Change Spring	Optional
22	T-6210	Beehive Spring	1

505 N. Railroad Ave.
P.O. Box 1117
Boynton Beach, FL 33435

SEE OUR CATALOG
@

PH. 561-732-1111
Fax 561-731-4412

www.taylorpneumatic.com Toll Free 800-805-8665

02/08 TPTCDPT
all rights reserved
COPYRIGHT 2008
final