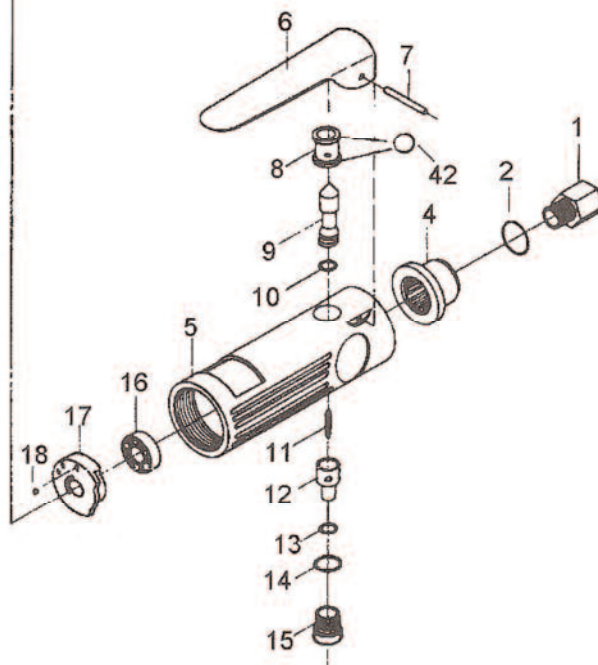
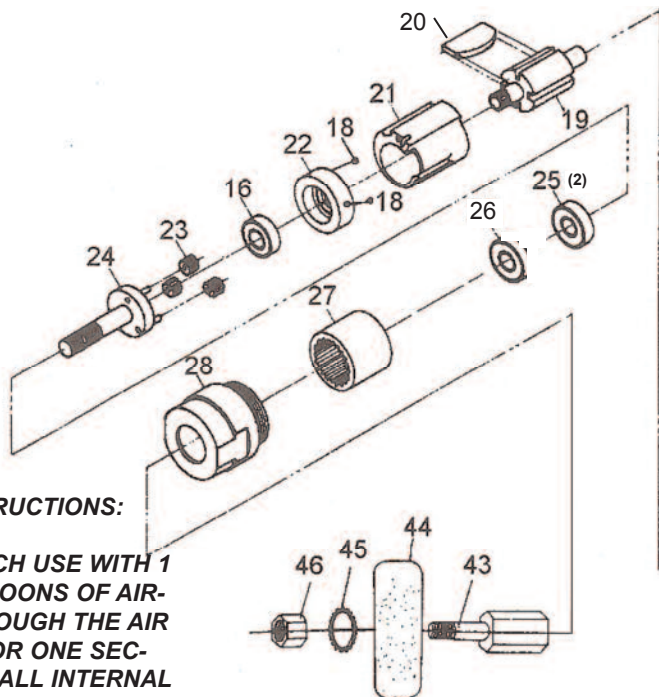


T- 7002A Low Speed Tire Buffer 2500 RPM



OILING INSTRUCTIONS:

OIL AFTER EACH USE WITH 1 OR 2 TABLESPOONS OF AIR-TOOL OIL THROUGH THE AIR INLET. RUN FOR ONE SECOND TO COAT ALL INTERNAL PARTS.

USE 90 PSI MAXIMUM

Ref.#	Part #	Description	Qty.
1	7002A01	Inlet Bushing	1
2	7002A02	"O" Ring	1
4	7002A04	Exhaust Housing	1
5	7002A05	Motor Housing	1
6	7002A06	Throttle Lever	1
7	7002A07	Pin	1
8	7002A08	Valve Bushing	1
9	7002A09	Valve	1
10	7002A10	"O" Ring	1
11	7002A11	Spring	1
12	7002A12	Air Regulator	1
13	7002A13	"O" Ring	1
14	7002A14	"O" Ring	1
15	7002A15	Valve Cap	1
16	7002A16	Bearing	2
17	7002A17	Rear End Plate	1
18	7002A18	Ball	3

Ref.#	Part #	Description	Qty.
19	7002A19	Rotor	1
20	7002A20	Rotor Blades (4 per set)	1 set
21	7002A21	Cylinder	1
22	7002A22	Front End Plate	1
23	7002A23	Idler Gear	3
24	7002A24	Spindle	1
25	7002A25	Bearing	2
26	7002A26	Washer	1
27	7002A27	Ring Gear	1
28	7002A28	Gear Cap	1
42	7002A42	"O" Ring	2
43	7002A43	Spindle	1
44	T-7002A44	Metal Wheel	1
45	7002A45	Washer	1
46	7002A46	Nut	1

505 N. Railroad Ave.

P.O. Box 1117

Boynton Beach, Florida 33435

SEE OUR CATALOG

at

www.taylorpneumatic.com

PH. 561-732-1111

FAX 561-731-4412

Toll Free 800-805-8665

11/07 TPTCDPT
all rights reserved
COPYRIGHT 2007
final