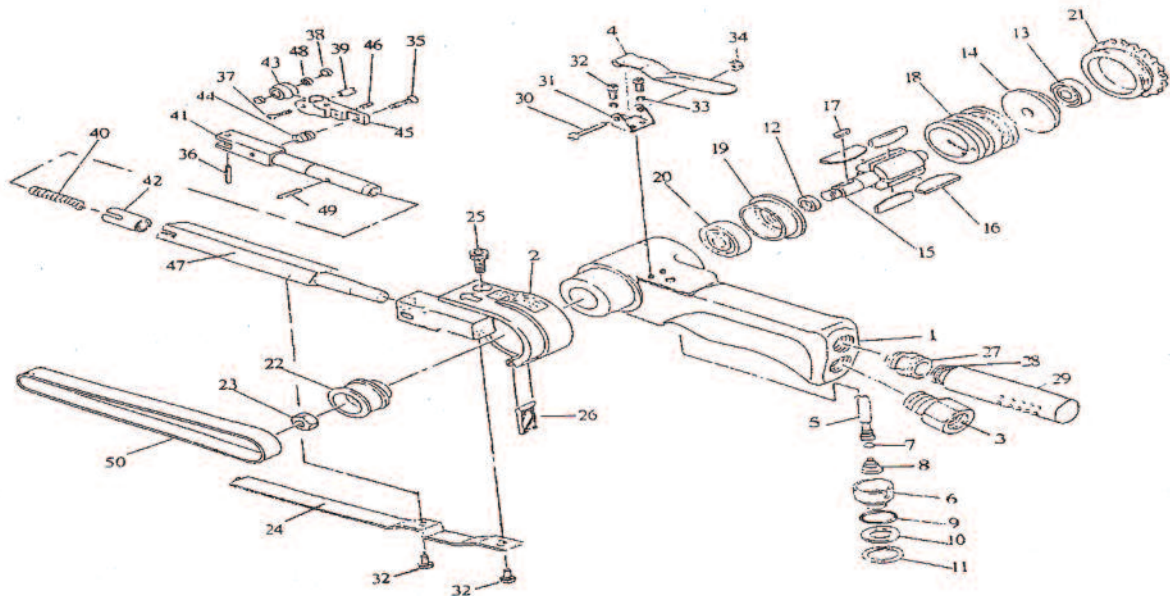


T- 7010 Belt Sander

3/8" X 13"

16,000 RPM



OILING INSTRUCTIONS:
OIL AFTER EACH USE WITH 1 OR 2 TEASPOONS OF AIRTOOL OIL THROUGH THE AIR INLET. RUN FOR ONE SECOND TO COAT ALL INTERNAL PARTS.

USE 90 PSI MAXIMUM

Ref.#	Part #	Description	Qty.
1	701001	Housing	1
2	701002	Guard Sub	1
3	701003	Air Inlet	1
4	701004	Lever	1
5	701005	Valve Stem	1
6	701006	Regulator	1
7	701007	"O" Ring	1
8	701008	Spring	1
9	701009	"O" Ring	1
10	701010	Spacer	1
11	701011	Retaining Ring	1
12	701012	Spacer	1
13	701013	Bearing	1
14	701014	Rear End Plate	1
15	701015	Rotor	1
16	701016	Rotor Blade (4 per set)	1 set
17	701017	Key	1
18	701018	Cylinder	1
19	701019	Front End Plate	1
20	701020	Bearing	1
21	701021	Cap	1
22	701022	Drive Pulley	1
23	701023	Nut	1
24	701024	Shoe	1
25	701025	Socket Head Bolt	1
26	701026	Dust Cover	1

Ref.#	Part #	Description	Qty.
27	701027	Nipple	1
28	701028	Spring	1
29	701029	Silencer	1
30	701030	Screw	1
31	701031	Lever Support	1
32	701032	Screw	3
33	701033	Spring Washer	2
34	701034	Nut	1
35	701035	Screw	1
36	701036	Spring Pin	1
37	701037	Screw	1
38	701038	Bearing	2
39	701039	Idler Pulley Shaft	1
40	701040	Spring	1
41	701041	Tension Bar	1
42	701042	Bushing	1
43	701043	Idler Pulley	1
44	701044	Spring	1
45	701045	Bracket	1
46	701046	Screw	1
47	T-7010120	120 Grit Belt	1
	T-7010100	100 Grit Belt	1
	T-701080	80 Grit Belt	-
	T-701060	60 Grit Belt	-
48	701048	Spring Pin	1
49	701049	Spring	1
50	701050	Tension Latch	1
51	701051	Lock Pin	1
52	701052	Allen Wrench(4mm)	1
		(not shown)	
53	701053	Allen Wrench (1/16")	1
		(not Shown)	

505 N. Railroad Ave.
P.O. Box 1117
Boynton Beach, Florida 33435

SEE OUR CATALOG
at
www.taylorpneumatic.com

PH. 561-732-1111
FAX 561-731-4412
Toll Free 800-805-8665

011/07TPTCDPT
all rights reserved
COPYRIGHT 2007
final