

T- 7012A Belt Sander

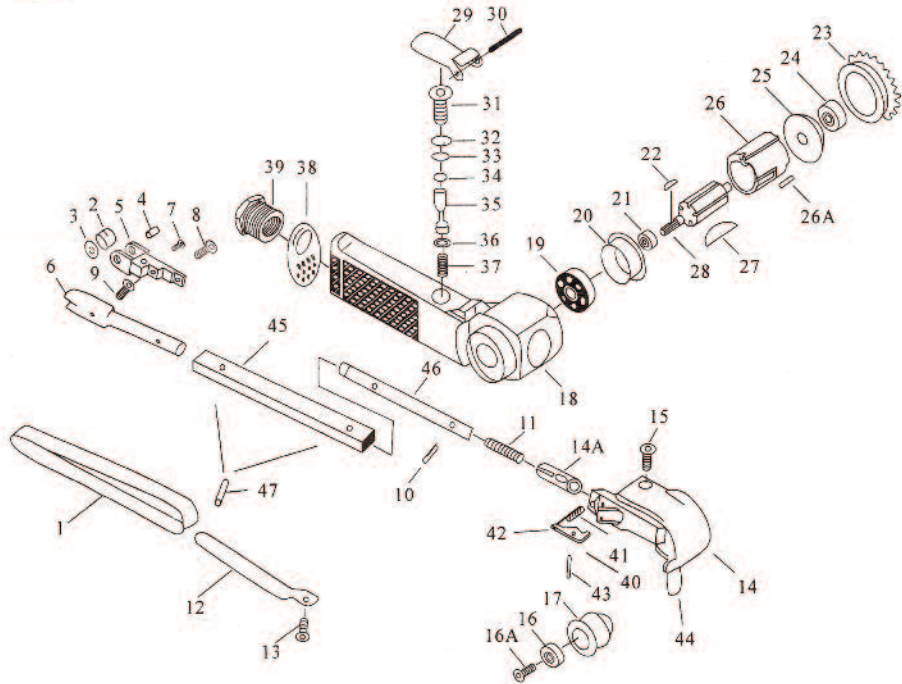
1/2" X 24"

16,000 RPM



OILING INSTRUCTIONS:

OIL AFTER EACH USE WITH 1 OR 2 TEASPOONS OF AIR-TOOL OIL THROUGH THE AIR INLET. RUN FOR ONE SECOND TO COAT ALL INTERNAL PARTS.



USE 90 PSI MAXIMUM

Ref.#	Part #	Description	Qty.
1	T-7012100	100 Grit Belt	1
	T-7012120	120Grit Belt	1
2	7012A02	Idler Pulley Assembly <small>(includes Pulley, 2-Bearings & Spacer)</small>	1 Set
3	7012A03	Washer	1
4	7012A04	Idler Pulley Shaft	1
5	7012A05	Bracket	1
6	7012A06	Tension Bar	1
7	7012A07	Screw	1
8	7012A08	Screw	1
9	7012A09	Spring	2
10	7012A10	Spring Pin	1
11	7012A11	Spring	1
12	7012A12	Shoe	1
13	7012A13	Screw	1
14	7012A14	Guard Sub Assembly	1
14A	7012A14A	Guard Bushing	1
15	7012A15	Bolt	1
16	7012A16	Nut	1
16A	7012A16A	Bolt	1
17	7012A17	Drive Pulley	1
18	7012A18	Housing	1
19	7012A19	Bearing	1
20	7012A20	End Plate	1
21	7012A21	Spacer	1
22	7012A22	Key	1
23	7012A23	Cap	1
24	7012A24	Bearing	1

Ref.#	Part #	Description	Qty.
25	7012A25	End Plate	1
26	7012A26	Cylinder	1
26A	7012A26A	Pin	1
27	7012A27	Rotor Blades (4 per set)	1 Set
28	7012A28	Rotor	1
29	7012A29	Throttle Lever	1
30	7012A30	Lever Pin	1
31	7012A31	Valve Body	1
32	7012A32	"O" Ring	1
33	7012A33	"O" Ring	1
34	7012A34	"O" Ring	1
35	7012A35	Valve Stem	1
36	7012A36	"O" Ring	1
37	7012A37	Valve Spring	1
38	7012A38	Exhaust Deflector	1
39	7012A39	Air Inlet	1
41	7012A41	Spring	1
42	7012A42	Lever	1
43	7012A43	Lever Pin	1
44	7012A44	Spark Guard	1
45	7012A45	Tension Spindle	1
46	7012A46N	Shaft	1
47	7012A47	Pin	1
48	7012A48	Allen Wrench 4mm(not shown)	1
49	7012A49	Allen Wrench 1/16"(not shown)	1
	T-701260	60 Grit Belt(optional)	
	T-701280	80 Grit Belt(optional)	

505 N. Railroad Ave.
P.O. Box 1117
Boynton Beach, Florida 33435

SEE OUR CATALOG
at
www.taylorpneumatic.com

PH. 561-732-1111
FAX 561-731-4412
Toll Free 800-805-8665

06/08TPTCDPT
all rights reserved
COPYRIGHT2008
final