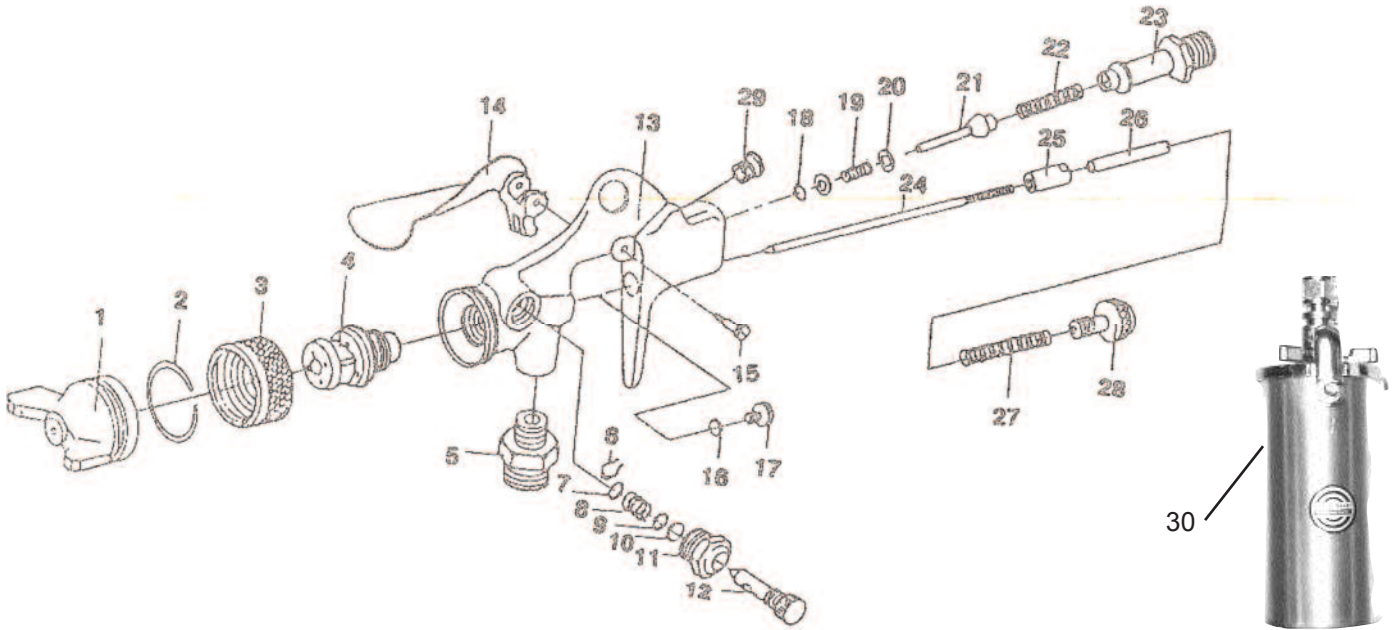


# T-7015N Jam Gun & Cup



## USE 30 to 50 PSI MAXIMUM

Ref.#	Part #	Description	Qty.
1	7015N01	Nozzle Cap	1
2	7015N02	Inner Ring	1
3	7015N03	Cap Ring	1
4	7015N04	Fluid Nozzle	1
5	7015N05	Connection	1
6	7016N06	Retaining Ring	1
7	7015N07	"O" Ring	1
8	7015N08	Spring	1
9	7015N09	"O" Ring	1
10	7015N10	Packing	1
11	7015N11	Nut	1
12	7015N12	Stem	1
13	7015N13	Body	1
14	7015N14	Trigger	1
15	7015N15	Trigger Screw	1

Ref.#	Part #	Description	Qty.
16	7015N16	Packing	4
17	7015N17	Nut	1
18	7015N18	"O" Ring	1
19	7015N19	Spring	1
20	7015N20	Washer	2
21	7015N21	Stem Assembly	1
22	7015N22	Spring	1
23	7015N23	Air Connection	1
24	7015N24	Needle	1
25	7015N25	Lock Nut	1
26	7015N26	Rear Extension	1
27	7015N27	Spring	1
28	7015N28	Screw	1
29	7015N29	Cap	1
30	7015N30	Cup & Lid	1

505 N. Railroad Ave.  
P.O. Box 1117  
Boynton Beach, Florida 33435

**SEE OUR CATALOG**  
at

[www.taylorpneumatic.com](http://www.taylorpneumatic.com)

PH. 561-732-1111

FAX 561-731-4412

Toll Free 800-805-8665

09/07TPTCDPT  
all rights reserved  
COPYRIGHT 2007  
final