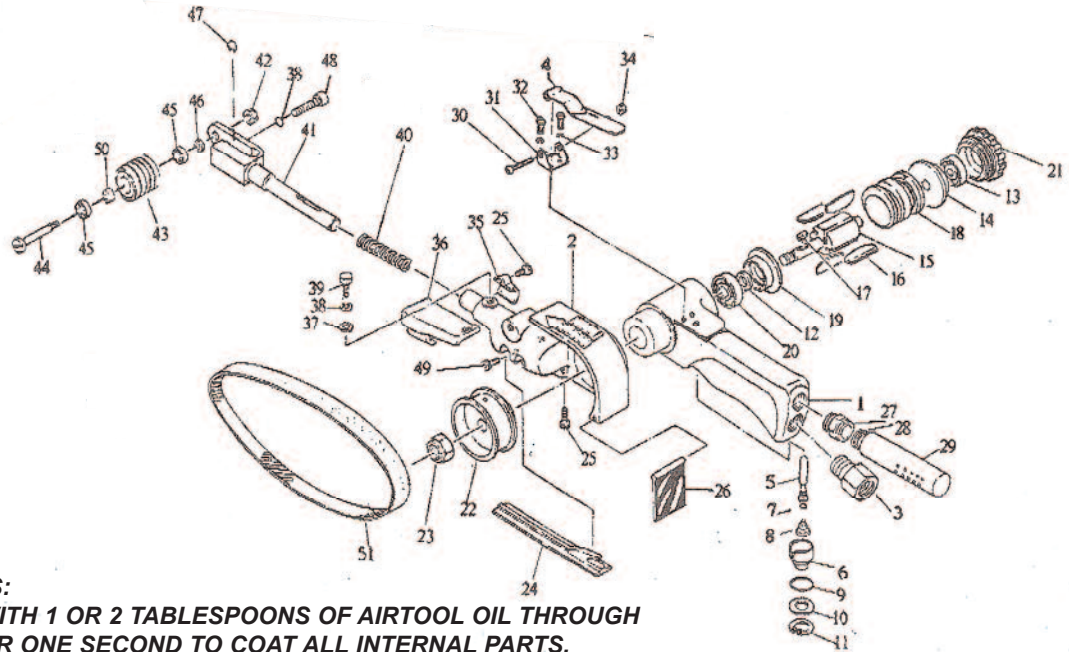


# T-7020 Belt Sander

## 3/4" X 20 1/2"

### 16,000 RPM



**OILING INSTRUCTIONS:**  
**OIL AFTER EACH USE WITH 1 OR 2 TABLESPOONS OF AIRTOOL OIL THROUGH THE AIR INLET. RUN FOR ONE SECOND TO COAT ALL INTERNAL PARTS.**

#### USE 90 PSI MAXIMUM

Ref.#	Part #	Description	Qty.
1	702001	Housing	1
2	702002	Guard Body	1
3	702003	Air Inlet	1
4	702004	Lever	1
5	702005	Valve Stem	1
6	702006	Regulator	1
7	702007	"O" Ring	1
8	702008	Spring	1
9	702009	"O" Ring	1
10	702010	Spacer	1
11	702011	Retaining Ring	1
12	702012	Distance Collar	1
13	702013	Bearing	1
14	702014	Rear End Plate	1
15	702015	Rotor	1
16	702016	Blade (4)	1 set
17	702017	Key	1
18	702018	Cylinder	1
19	702019	Front End Plate	1
20	702020	Bearing	1
21	702021	Cap	1
22	702022	Drive Pulley	1
23	702023	Hex Nut	1
24	702024	Flat Shoe	1
25	702025	Hex Socket Head Bolt	2
26	702026	Dust Cover	1

Ref.#	Part #	Description	Qty.
27	702027	Nipple	1
28	702028	Spring	1
29	702029	Silencer	1
30	702030	Screw	1
31	702031	Lever Support	1
32	702032	Screw	2
33	702033	Spring Washer	2
34	702034	Hex Nut	1
35	702035	Clamp	1
36	702036	Finger Pad	1
37	702037	Washer	1
38	702038	Spring Washer	2
39	702039	Screw	1
40	702040	Spring	1
41	702041	Arm	1
42	702042	Nut	1
43	702043	Idler Pulley	1
44	702044	Shaft	1
45	702045	Bearing	2
46	702046	Spacer (long)	1
47	702047	Retaining Ring	1
48	702048	Bolt	1
49	702049	Bolt	1
50	702050	Spacer (short)	1
51	T-7020100	100 Grit Belt	1
	T-7020120	120 Grit Belt	1
	T-702080	80 Grit Optional	
	T-702060	60 Grit Optional	
52	702052	4mm Wrench (not shown)	1

505 N. Railroad Ave.  
P.O. Box 1117  
Boynton Beach, Florida 33435

**SEE OUR CATALOG**  
**at**  
[www.taylorpneumatic.com](http://www.taylorpneumatic.com)

PH. 561-732-1111  
FAX 561-731-4412  
Toll Free 800-805-8665

09/07TPTCDPT  
all rights reserved  
COPYRIGHT 2007  
final