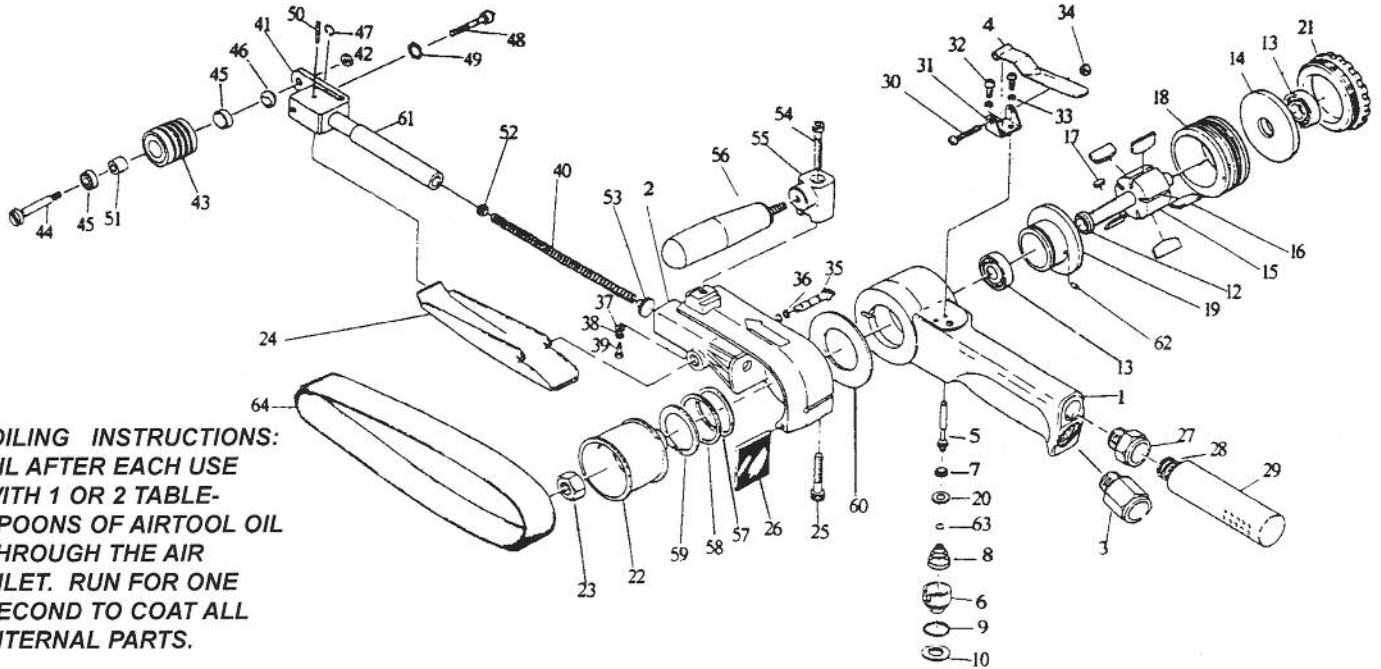


T-7030 Belt Sander

1-3/16" X 21-1/4"

16,000 RPM



OILING INSTRUCTIONS:
OIL AFTER EACH USE
WITH 1 OR 2 TABLE-
SPOONS OF AIRTOOL OIL
THROUGH THE AIR
INLET. RUN FOR ONE
SECOND TO COAT ALL
INTERNAL PARTS.

USE 90 PSI MAXIMUM

Ref.#	Part #	Description	Qty.	Ref.#	Part #	Description	Qty.
1	703001	Housing	1	35	703035	Shoe Holder	1
2	703002	Guard	1	36	703036	"O" Ring	2
3	703003	Air Inlet	1	37	703037	Washer	1
4	703004	Lever	1	38	703038	Spring Washer	1
5	703005	Valve Stem	1	39	703039	Screw	1
6	703006	Regulator	1	40	703040	Tension Spring	1
7	703007	Seal	1	41	703041	Tension Bar	1
8	703008	Spring	1	42	703042	Nut	1
9	703009	"O" Ring	1	43	703043	Idler Pulley	1
10	703010	Spacer	1	44	703044	Shaft	1
11	703011	Retaining Ring	1	45	703045	Bearing	2
12	703012	Distance Collar	1	46	703046	Spacer	1
13	703013	Bearing	2	47	703047	Retaining Ring	1
14	703014	Rear End Plate	1	48	703048	Bolt	1
15	703015	Rotor	1	49	703049	Spring Washer	1
16	703016	Blade (5)	1 set	50	703050	Spring Pin	1
17	703017	Key	1	51	703051	Spacer	1
18	703018	Cylinder	1	52	703052	Spring Retainer A	1
19	703019	Front End Plate	1	53	703053	Spring Retainer B	1
20	703020	Washer	1	54	703054	Bolt	1
21	703021	Cap	1	55	703055	Sub Handle Holder	1
22	703022	Drive Pulley	1	56	703056	Sub Handle Assembly	1
23	703023	Nut	1	57	703057	Waved Lock Washer	1
24	703024	Flat Shoe	1	58	703058	Thrust Washer	1
25	703025	Bolt	1	59	703059	Retaining Ring	1
26	703026	Dust Cover	1	60	703060	Thrust Washer	1
27	703027	Nipple	1	61	703061	Arm	1
28	703028	Spring	1	62	703062	Spring Pin	1
29	703029	Silencer	1	63	703063	Retaining Ring	1
30	703030	Screw	1	64	T-703060	60 Grit Belt (optional)	
31	703031	Lever Support	1		T-703080	80 Grit Belt	1
32	703032	Screw	2		T-7030100	100 Grit Belt (optional)	
33	703033	Spring Washer	2		T-7030120	120 Grit Belt	1
34	703034	Nut	1		703066	5 mm wrench (not shown)	1
				66			

505 N. Railroad Ave.

P.O. Box 1117

Boynton Beach, Florida 33435

SEE OUR CATALOG

at

www.taylorpneumatic.com

PH. 561-732-1111

FAX 561-731-4412

Toll Free 800-805-8665

0907 TPTCDPT
 all rights reserved
 COPYRIGHT 2007
 final