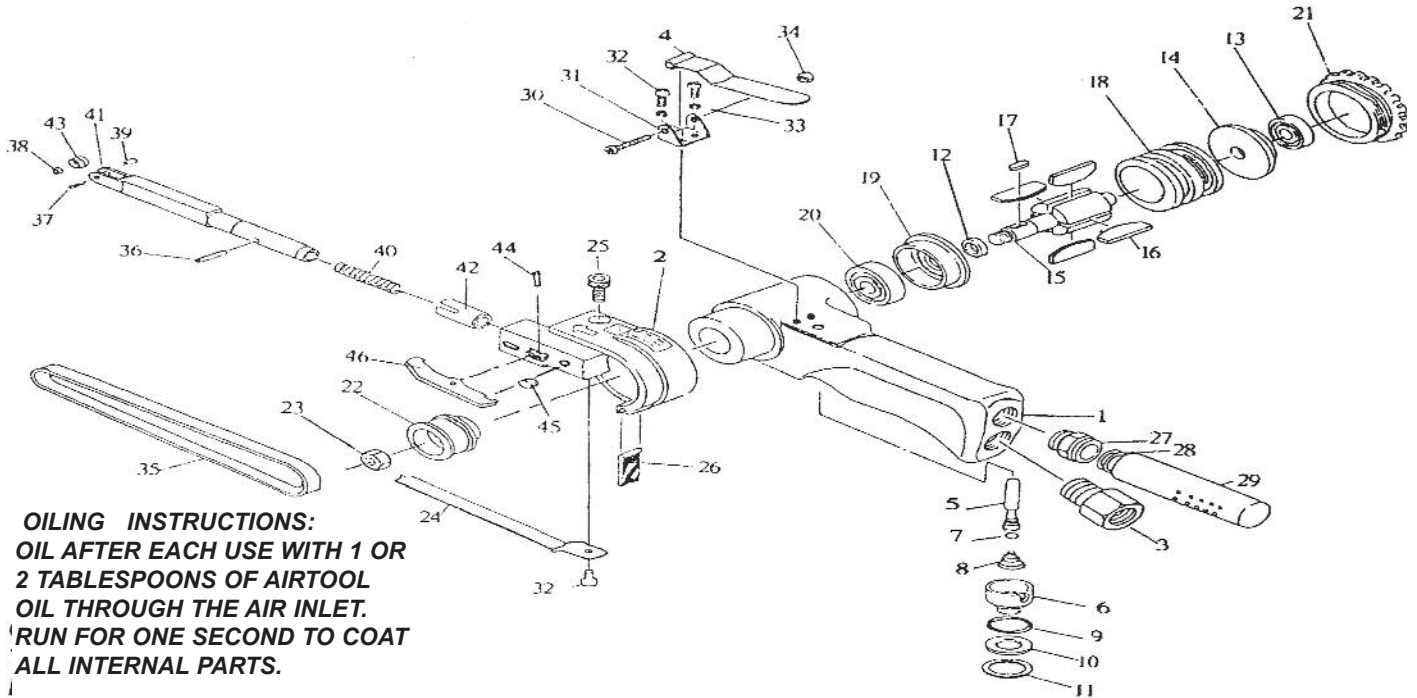


T- 7060 Belt Sander

1/4" X 13"

16,000 RPM



OILING INSTRUCTIONS:
OIL AFTER EACH USE WITH 1 OR 2 TABLESPOONS OF AIRTOOL OIL THROUGH THE AIR INLET.
RUN FOR ONE SECOND TO COAT ALL INTERNAL PARTS.

USE 90 PSI MAXIMUM

Ref.#	Part #	Description	Qty.
1	706001	Housing	1
2	706002	Guard Sub	1
3	706003	Air Inlet	1
4	706004	Lever	1
5	706005	Valve Stem	1
6	706006	Regulator	1
7	706007	"O" Ring	1
8	706008	Spring	1
9	706009	"O" Ring	1
10	706010	Spacer	1
11	706011	Retaining Ring	1
12	706012	Spacer	1
13	706013	Bearing	1
14	706014	Rear End Plate	1
15	706015	Rotor	1
16	706016	Blade (4)	1 set
17	706017	Key	1
18	706018	Cylinder	1
19	706019	Front End Plate	1
20	706020	Bearing	1
21	706021	Cap	1
22	706022	Drive Pulley	1
23	706023	Hexagon Nut	1
24	706024	Shoe	1

Ref.#	Part #	Description	Qty.
25	706025	Hexagon Socket Head Bolt	1
26	706026	Dust Cover	1
27	706027	Nipple	1
28	706028	Spring	1
29	706029	Silencer	1
30	706030	Screw	1
31	706031	Lever Support	1
32	706032	Screw	3
33	706033	Spring Washer	2
34	706034	Hexagon Nut	1
35	T-706060	60 Grit Belt (optional)	
	T-706080	80 Grit Belt (optional)	
	T-7060100	100 Grit Belt	1
	T-7060120	120 Grit Belt	1
36	706036	Lock Pin	1
37	706037	Screw	1
38	706038	Bearing	1
39	706039	Idle Pulley Shaft	1
40	706040	Spring	1
41	706041	Tension Bar	1
42	706042	Bushing	1
43	706043	Idle Pulley	1
44	706044	Spring Pin	1
45	706045	Spring	1
46	706046	Lever	1
47	706047	4 mm wrench (not shown)	1

505 N. Railroad Ave.
P.O. Box 1117
Boynton Beach, Florida 33435

SEE OUR CATALOG
at
www.taylorpneumatic.com

PH. 561-732-1111
FAX 561-731-4412
Toll Free 800-805-8665

09/07TPTCDPT
all rights reserved
COPYRIGHT 2007
final