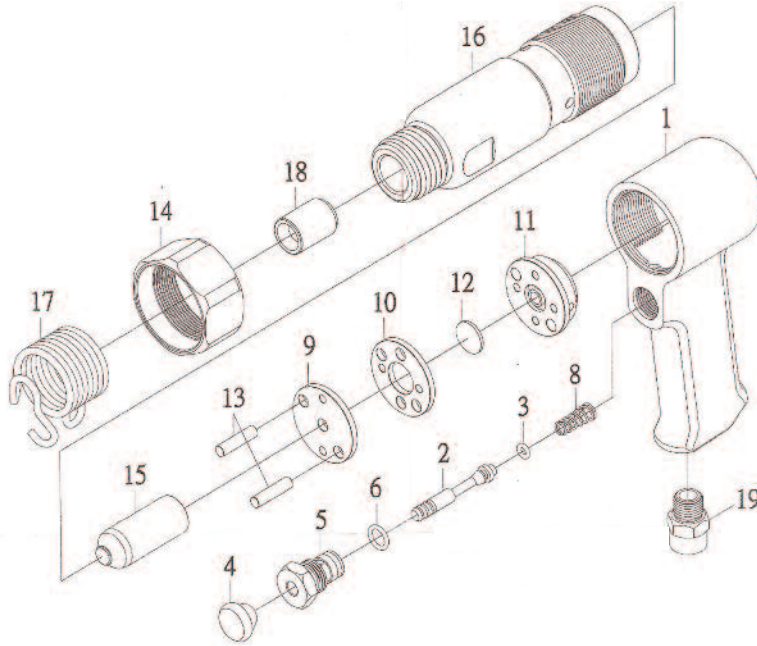
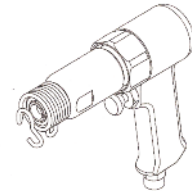


T-7121 Air Hammer



OILING INSTRUCTIONS:
OIL AFTER EACH USE
WITH 1/2 to 1 TABLE-
SPOONS OF AIRTOOL OIL
THROUGH THE AIR
INLET. RUN FOR ONE
SECOND TO COAT ALL
INTERNAL PARTS.



USE 90 PSI MAXIMUM

Ref.#	Part #	Description	Qty.
1	712101	Handle	1
2	712102	Throttle Valve	1
3	712103	"O" Ring	1
4	712104	Trigger Button	1
5	712105	Valve Bushing	1
6	712106	"O" Ring	1
8	712108	Spring	1
9	712109	Valve Seat	1
10	712110	Valve Spacer	1
11	712111	Valve Cap	1

Ref.#	Part #	Description	Qty.
12	712112	Valve	1
13	712113	Pin	2
14	712114	Exhaust Deflector	1
15	712115	Piston	1
16	712116	Cylinder	1
17	712117	Retainer Spring	1
18	712118	Bushing	1
19	712119	Air Inlet	1
		<i>OPTIONAL CHISELS FOR .401 AIR HAMMERS</i>	
	T-4030	Tapered Punch	
	T-4040	Cold Chisel	
	T-4060	Spot Weld Buster	
	T-4090	Special Panel Cutter	
	T-4100	Double Bladed Cutter	
	T-4181	Star Drill 3/8"	
	T-4182	Star Drill 1/2"	
	T-4191	Scraper Blade(long)	
	T-4220	Scraper Blade 1-1/4"	

505 N. Railroad Ave.
P.O. Box 1117
Boynton Beach, Florida 33435

SEE OUR CATALOG
at
www.taylorpneumatic.com

PH. 561-732-1111
FAX 561-731-4412
Toll Free 800-805-8665

01/11 TPTCDPT
all rights reserved
COPYRIGHT 2011
final