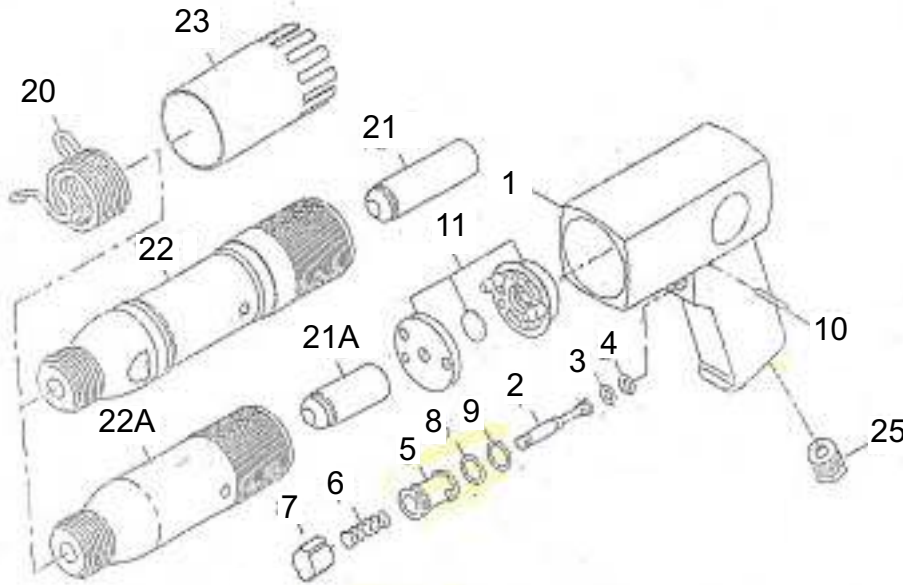


T-7111 Air Hammer

T-7151 Air Hammer



OILING INSTRUCTIONS:
OIL AFTER EACH USE
WITH 1/2 to 1 TABLE-
SPOONS OF AIRTOOL OIL
THROUGH THE AIR
INLET. RUN FOR ONE
SECOND TO COAT ALL
INTERNAL PARTS.

USE 90 PSI MAXIMUM

Ref.#	Part #	Description	Qty.
1	715101A	Handle Assembly includes #1 - 10	1
2	715102	Throttle Valve Stem	1
3	715103	"O" Ring	1
4	715104	"O" Ring	1
5	715105	Valve Bushing	1
6	715106	Valve Spring	1
7	715107	Valve Button	1
7A	715107A	Valve Assembly	1
8	715108	"O" Ring	1
9	715109	"O" Ring	1
10	715110	Roll Pin	1
11	715111	Valve Assembly	1
20	T-5120	Quick Change Spring	1
20A	T-5210	Beehive Spring(optional) (not shown)	

Ref.#	Part #	Description	Qty.
21	715121	Piston	1
21A	711121	Piston	1
22	715122	Cylinder	1
22A	711122	Cylinder	1
23	715123	Exhaust Deflector	1
25	715125	Air Inlet	
		OPTIONAL	
		CHISELS FOR .401	
		AIR HAMMERS	
	T-4030	Tapered Punch	
	T-4040	Cold Chisel	
	T-4060	Spot Weld Buster	
	T-4090	Special Panel Cutter	
	T-4100	Double Bladed Cutter	
	T-4181	Star Drill 3/8"	
	T-4182	Star Drill 1/2"	
	T-4191	Scraper Blade(long)	
	T-4220	Scraper Blade 1-1/4"	
	T-7513	Aluminum Safety Ck.	
	T-7514	Quick Change Retainer	

505 N. Railroad Ave.
P.O. Box 1117
Boynton Beach, Florida 33435

SEE OUR CATALOG
at
www.taylorpneumatic.com

PH. 561-732-1111
FAX 561-731-4412
Toll Free 800-805-8665

02/08 TPTCDPT
all rights reserved
COPYRIGHT 2008
final