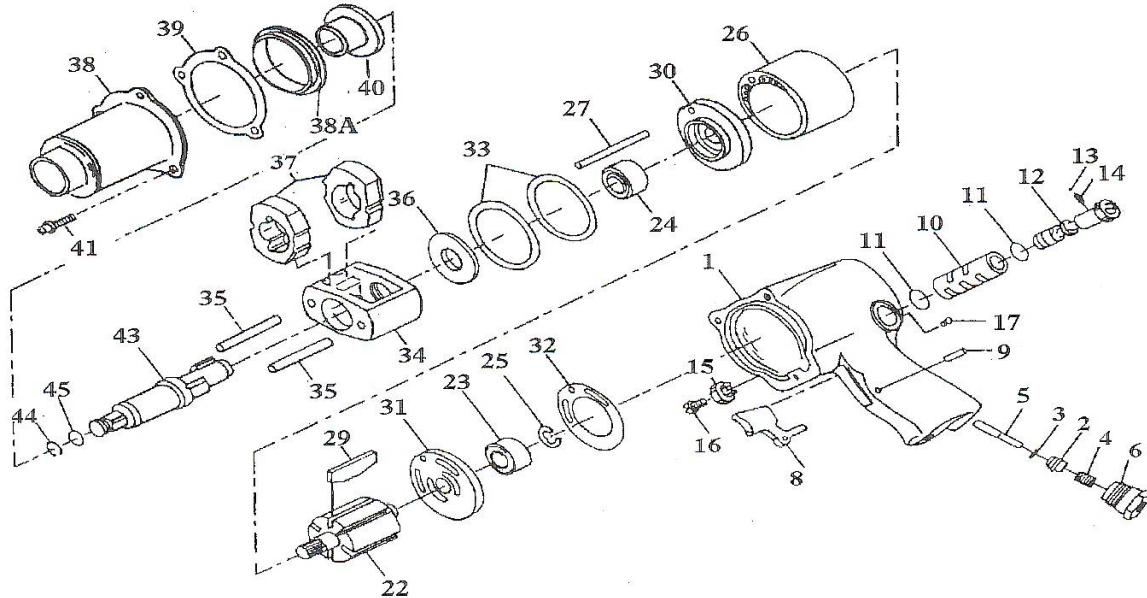


T-7231 1/2" Impact Wrench
T-7231L 1/2" Impact Wrench
w/ Ext. Anvil



OILING INSTRUCTIONS:
OIL AFTER EACH USE WITH 1 OR 2 TABLESPOONS OF AIRTOOL OIL THROUGH THE AIR INLET. RUN FOR ONE SECOND TO COAT ALL INTERNAL PARTS.

USE 90 PSI MAXIMUM

Ref.#	Part #	Description	Qty.
1	723101N	Motor Housing	1
2	723102N	Throttle Valve	1
3	723103N	"O" Ring	1
4	723104N	Throttle Valve Spring	1
5	723105N	Throttle Valve Stem	1
6	723106N	Air Inlet	1
8	723108N	Trigger	1
9	723109N	Trigger Pin	1
10	723110N	Bushing	1
11	723111N	"O" Ring	2
12	723112N	Valve	1
13	723113N	Detent Ball	1
14	723114N	Detent Spring	1
15	723115N	Rev. Valve Knob	1
16	723116N	Screw	1
17	723117N	Grease Fitting	1
22	723122N	Rotor	1
23	723123N	Rear Rotor Bearing	1
24	723124N	Front Rotor Bearing	1
25	723125N	Bearing Retainer	1
26	723126N	Cylinder	1

Ref.#	Part #	Description	Qty.
27	723127N	Cylinder Dowel	1
29	723129N	Rotor Blade (6)	1 set
30	723130N	Front End Plate	1
31	723131N	Rear End Plate	1
32	723132N	End Plate Gasket	1
33	723133N	Motor Clamp Washer	2
34	723134N	Hammer Frame	1
35	723135N	Hammer Pin	2
36	723136N	Rear Washer	1
37	723137N	Hammer	2
38	723138N	Hammer Case	1
38A	723138AN	Hammer Case Pilot	1
39	723139N	Gasket	1
40	723140N	Bushing	1
41	723141N	Cap Screw	3
43	723143N	Standard Anvil	1
43	7231L43N	2" Ext. Anvil	1
44	723144N	Socket Retainer	1
45	723145N	Retainer "O" Ring	1

505 N. Railroad Ave.
P.O. Box 1117
Boynton Beach, Florida 33435

SEE OUR CATALOG
at
www.taylorpneumatic.com

PH. 561-732-1111
FAX 561-731-4412
Toll Free 800-805-8665

09/07 TPTCDPT
all rights reserved
COPYRIGHT 2007
final