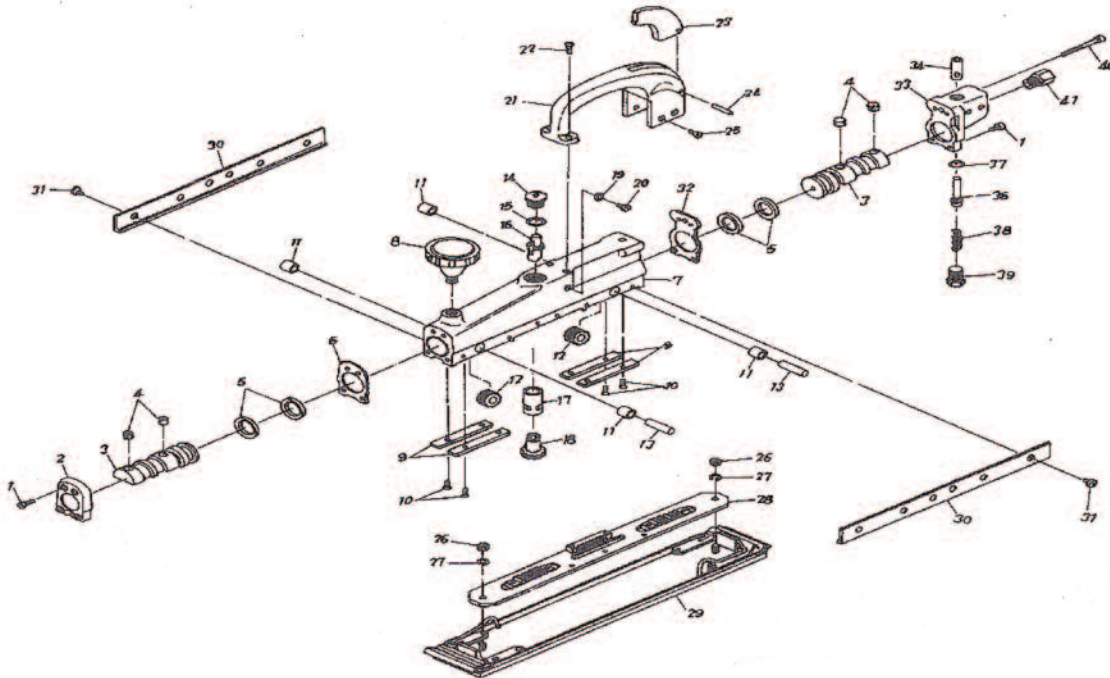


T- 7315

Straight Line Sander

2-3/4" x 17-1/2" Pad



OILING INSTRUCTIONS:

OIL AFTER EACH USE WITH 1 OR 2 TABLESPOONS OF AIRTOOL OIL THROUGH THE AIR INLET. RUN FOR ONE SECOND TO COAT ALL INTERNAL PARTS.

USE 90 PSI MAXIMUM

Ref.#	Part #	Description	Qty.
1	731501	Screw	6
2	731502	Front Cap	1
3	731503	Piston	2
4	731504	Plug	4
5	731505	Piston Ring	4
6	731506	Front Gasket	1
7	731507	Body	1
8	731508	Knob	1
9	731509	Wear Plate	4
10	731510	Screw	8
11	731511	Bearing	4
12	731512	Gear	2
13	731513	Gear Shaft	2
14	731514	Plunger	1
15	731515	"O" Ring	1
16	731516	Adjustment Shaft	1
17	731517	Actuator Valve	1
18	731518	Actuator Gear	1
19	731519	Gear	1
20	731520	Screw	1

Ref.#	Part #	Description	Qty.
21	731521	Handle	1
22	731522	Screw	2
23	731523	Trigger	1
24	731524	Roll Pin	1
25	731525	Screw	4
26	731526	Hexagon Nut	2
27	731527	Washer	2
28	731528	Carrier	1
29	731529	Pad Assembly	1
30	731530	Side Strap	2
31	731531	Screw	12
32	731532	Rear Gasket	1
33	731533	Rear Cap	1
34	731534	Bushing	1
36	731536	Valve Pin	1
37	731537	"O" Ring	1
38	731538	Valve Spring	1
39	731539	Valve Plug	1
40	731540	Screw	2
41	731541	Air Inlet	1

505 N. Railroad Ave.
P.O. Box 1117
Boynton Beach, Florida 33435

SEE OUR CATALOG
at
www.taylorpneumatic.com

PH. 561-732-1111
FAX 561-731-4412
Toll Free 800-805-8665

12/07 TPTCDPT
all rights reserved
COPYRIGHT 2007
final