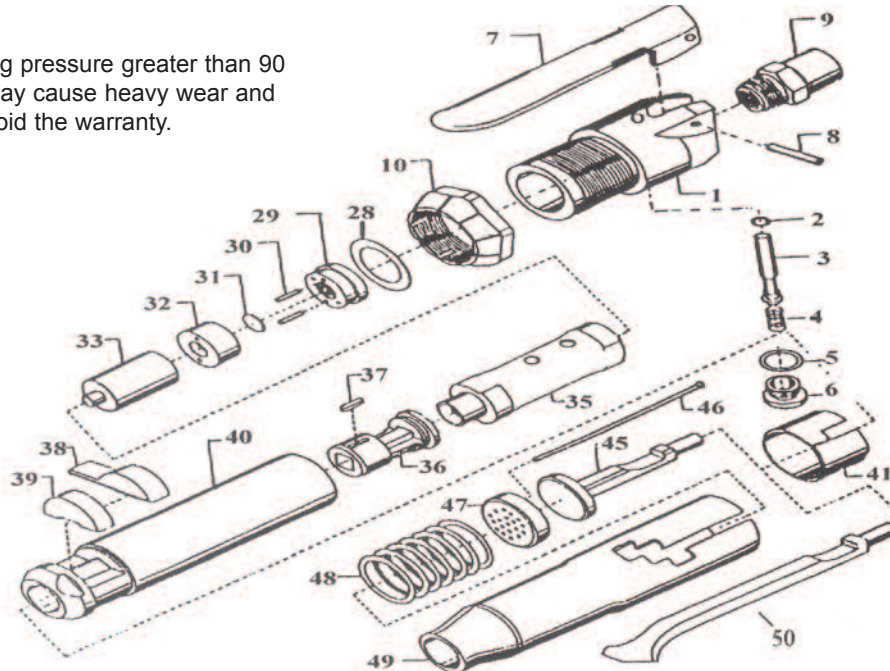


T-7356 Needle Scaler

T-7356A Weld Flux Scaler



*Using pressure greater than 90 psi may cause heavy wear and will void the warranty.



OILING INSTRUCTIONS:

OIL AFTER EACH USE WITH 1 OR 2 TABLE-SPOONS OF AIRTOOL OIL THROUGH THE AIR INLET. RUN FOR ONE SECOND TO COAT ALL INTERNAL PARTS.

Recommended:
 Mini tune up kit parts - 2,3,4,5,6,38,39,46,47,48
 Maxi Kit add to the above- 7,9,28(2pcs),29,30(2pcs), 31,32,33,45

USE 90 PSI MAXIMUM

Ref.#	Part #	Description	Qty.
1	735601	Backhead	1
2	735602	"O" Ring	1
3	735603	Throttle Valve	1
4	735604	Spring	1
5	735605	Gasket	1
6	735606	Valve Cap	1
7	735607	Lever	1
8	735608	Pin	1
9	735609	Hose Adapter	1
10	735610	Locking Ring	1
28	735628	Alignment Shim	2
29	735629	Rear Valve Block	1
30	735630	Pin	2
31	735631	Valve	1
32	735632	Front Valve Block	1
33	735633	Piston	1
35	735635	Barrel Sleeve	1
36	735636	Nose	1

Ref.#	Part #	Description	Qty.
37	735637	Key	1
38	735638	Driver Retainer	1
39	735639	Retainer Buffer	1
40	735640	Barrel Ass'y	1
41	735641	Retainer Clip	1
45	735645	Needle Driver	1
46	735646	Needle (19 per set)	1 set
47	735647	Needle Holder	1
48	735648	Spring	1
49	735649	Needle Tube	1
50	T-7356A8	1 1/4" Wide Chisel	1
		(comes with T-7356A)	
Optional	T-7356A1	1/4" Diamond Point	
Optional	T-7356A2	Panel Cutter	
Optional	T-7356A3	Blank Chisel	
Optional	T-7356A7	2" Scraper Chisel	
Optional	T-7356A9	3" Scraper Chisel	
Optional	T-7356A18	1 3/8" Angle Chisel (18")	
Optional	T-7356AT	Complete Attachment (#'s 45,46,47,48,49)	
Optional	T-7356SK	Mini Tune up Kit	
Optional	T-7356LK	Maxi Tune up Kit	

505 N. Railroad Ave.
 P.O. Box 1117
 Boynton Beach, Florida 33435

SEE OUR CATALOG
 at
www.taylorpneumatic.com

PH. 561-732-1111
 FAX 561-731-4412
 Toll Free 800-805-8665

02/11 TPTCDPT
 all rights reserved
 COPYRIGHT 2011
 final