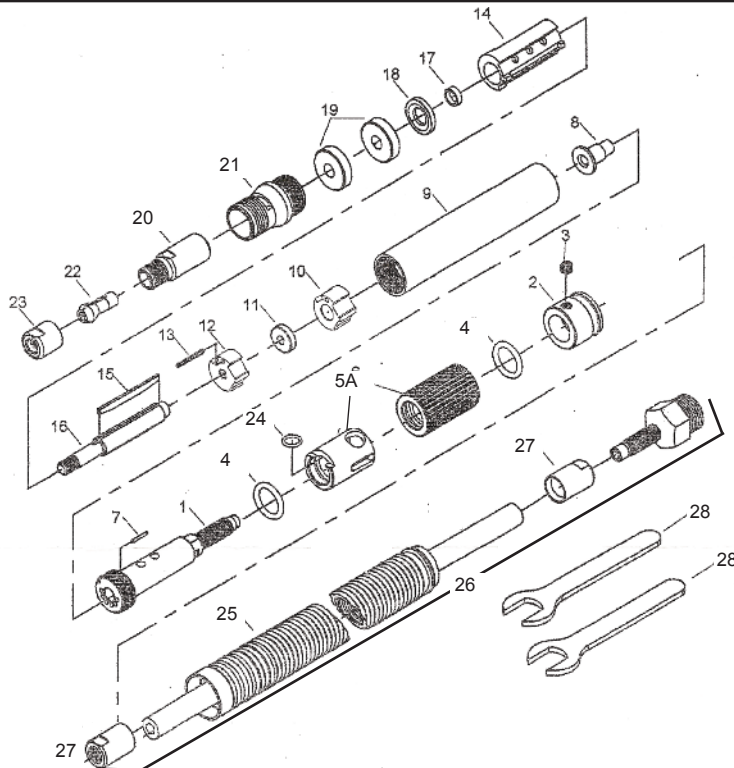


T-7401 Pencil Grinder (54,000 RPM)

T-7402 Pencil Grinder (70,000 RPM)



OILING INSTRUCTIONS:
OIL AFTER EACH USE WITH 1/4 to 1/2 TABLESPOON OF AIRTOOL OIL THROUGH THE AIR INLET. RUN FOR ONE SECOND TO COAT ALL INTERNAL PARTS.

USE 90 PSI MAXIMUM

Ref.#	Part #	Description	Qty.	Ref.#	Part #	Description	Qty.
1	740101	Hose Plug	1	15	740115	Vanes (3 per set)	1 set
2	740102	Rear End Holder	1	16	740116	Rotor	1
	740202	Rear End Holder	1	17	740117	Lateral Disc	1
3	740103	Screw	1	18	740118	Spacer	1
4	740104	"O" Ring	2	19	740119	Bearing	2
5A	740105A	Twist Knob/Regulator	1	20	740120	Collet Foundation	1
7	740107	Pin	1	21	740121	Front Cover	1
8	740108	Intake Steel Tube	1	22	740122	1/8" Collet	1
9	740109	Sleeve	1	Optional	740122B	3mm Collet	
	740209	Sleeve	1	Optional	740122C	3/32" Collet	
10	740110	Intake Plate	1	23	740123	Collet Nut	1
11	740111	Bearing	1	24	740124	"O" Ring	1
12	740112	Bearing Plate	1	25	740125	Overhose	1
13	740113	Pin	1	26	740126	Hose Assembly	1
14	740114	Cylinder	1	27	740127	Clamp Nut	2
	740214	Cylinder	1	28	740128	Wrenches	2

505 N. Railroad Ave.
P.O. Box 1117
Boynton Beach, Florida 33435

SEE OUR CATALOG
at
www.taylorpneumatic.com

PH. 561-732-1111
FAX 561-731-4412
Toll Free 800-805-8665

11/08 TPTCDPT
all rights reserved
COPYRIGHT 2008
final