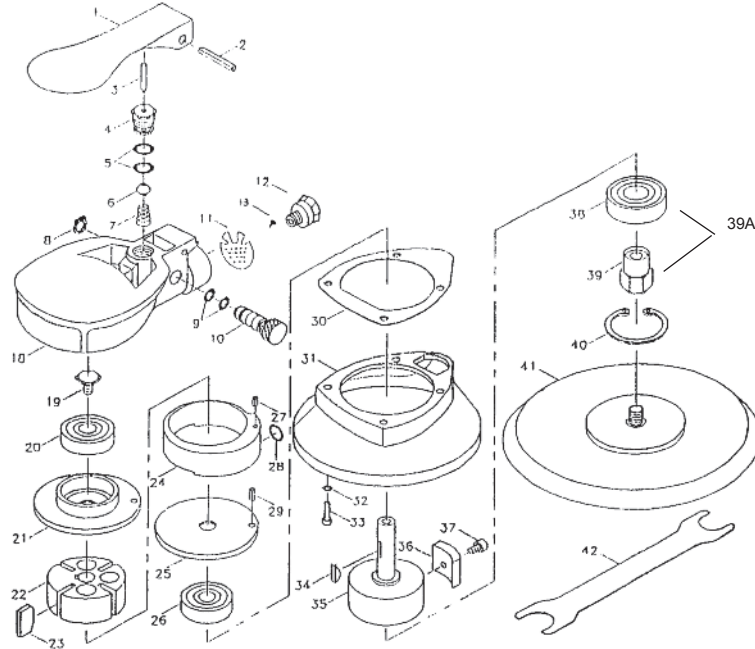


T-7445 5" Palm Grip DA Sander
T-7446 6" Palm Grip DA Sander
6000 RPM



OILING INSTRUCTIONS:
OIL AFTER EACH USE WITH
1 OR 2 TABLESPOONS OF
AIRTOOL OIL THROUGH
THE AIR INLET. RUN FOR
ONE SECOND TO COAT ALL
INTERNAL PARTS.



USE 90 PSI MAXIMUM

Ref.#	Part #	Description	Qty.
1	744601N	Throttle Lever	1
2	744602N	Lever Pin	1
3	744603N	Valve Pin	1
4	744604N	Valve Body	1
5	744605N	"O" Ring	2
6	744606N	Throttle Valve	1
7	744607N	Valve Spring	1
8	744608N	Retaining Ring	1
9	744609N	"O" Ring	2
10	744610N	Regulator	1
11	744611N	Deflector	1
12	744612N	Air Inlet	1
13	744613N	Deflector Screw	2
18	744618N	Motor Housing	1
19	744619N	Screw	1
20	744620N	Bearing	1
21	744621N	Front Plate	1
22	744622N	Rotor	1
23	744623N	Rotor Blades (4)	1 set
23A	744623A	Spring (4)	1 set

Ref.#	Part #	Description	Qty.
24	744624N	Cylinder	1
25	744625N	Rear Plate	1
26	744626N	Bearing	1
27	744627N	Cylinder Pin	1
28	744628N	"O" Ring	1
29	744629N	Cylinder Pin	1
30	744630N	Motor Gasket	1
31	744631N	Pad Cover	1
32	744632N	Washer	4
33	744633N	Cap Screw	4
34	744634N	Key	1
35	744635N	Crank Shaft	1
36	744636N	Lower Weight	1
37	744637N	Cap Screw	1
39A	744639A	Random Shaft (includes bearing)	1
40	744640N	Retaining Ring	1
41	T-7416	6" Rubber Pad	1
	T-7415	5" Rubber Pad	1
42	744642N	Wrench	1

505 N. Railroad Ave.
P.O. Box 1117
Boynton Beach, Florida 33435

SEE OUR CATALOG
at
www.taylorpneumatic.com

PH. 561-732-1111
FAX 561-731-4412
Toll Free 800-805-8665

08/08 TPTCDPT
all rights reserved
COPYRIGHT 2008
final