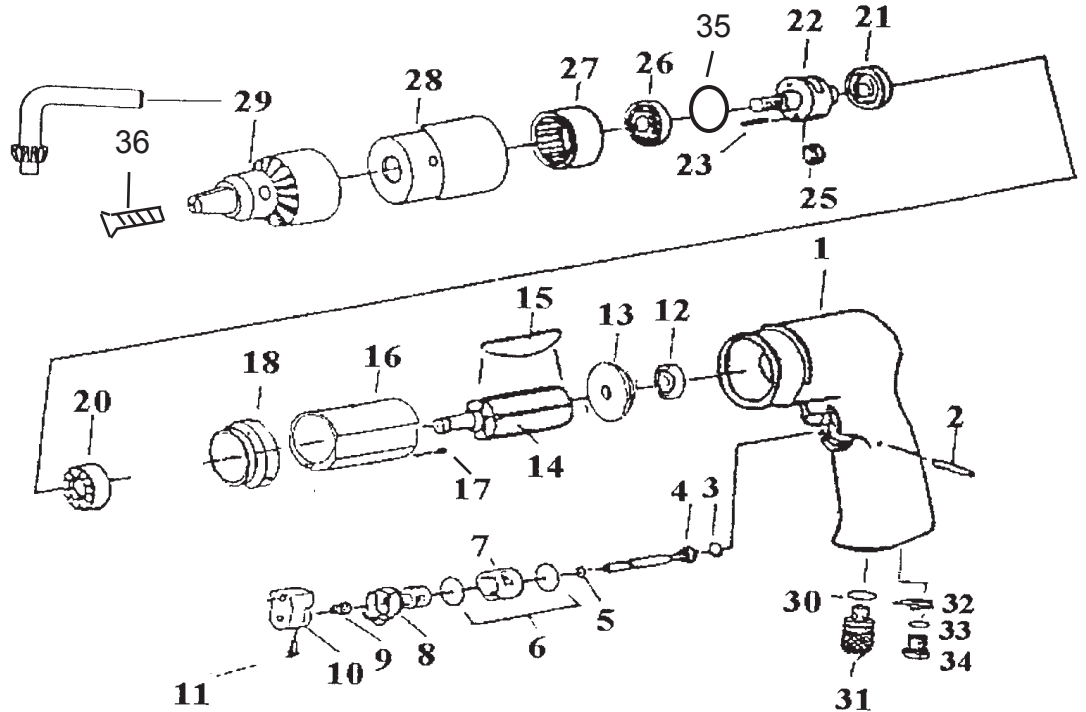


T-7454HPR

3/8" Heavy Duty Rev. Drill



OILING INSTRUCTIONS:

OIL AFTER EACH USE WITH 1 OR 2 TABLE-SPOONS OF AIRTOOL OIL THROUGH THE AIR INLET. RUN FOR ONE SECOND TO COAT ALL INTERNAL PARTS.

USE 90 PSI MAXIMUM

Ref.#	Part #	Description	Qty.
1	7454HPR01	Housing	1
2	7454HPR02	Pin	1
3	7454HPR03	"O" Ring	1
4	7454HPR04	Valve Stem	1
5	7454HPR05	"O" Ring	1
6	7454HPR06	"O" Ring	2
7	7454HPR07	Valve Sleeve	1
8	7454HPR08	Valve Bushing	1
9	7454HPR09	Spring	1
10	7454HPR10	Trigger	1
11	7454HPR11	Set Screw	1
12	7454HPR12	Bearing	1
13	7454HPR13	Rear End Plate	1
14	7454HPR14	Rotor	1
15	7454HPR15	Rotor Blades (5)	1 set
16	7454HPR16	Cylinder	1
17	7454HPR17	Pin	1

Ref.#	Part #	Description	Qty.
18	7454HPR18	Front End Plate	1
20	7454HPR20	Bearing	1
21	7454HPR21	Bearing	1
22	7454HPR22	Gear Cage	1
23	7454HPR23	Pin	2
25	7454HPR25	Gear w /needle roller	2
26	7454HPR26	Ball Bearing	1
27	7454HPR27	Internal Gear	1
28	7454HPR28	Gear Housing	1
29	T-7788-C	3/8" Drill Chuck & Key	1
30	7454HPR30	"O" Ring	1
31	7454HPR31	Muffler	1
32	7454HPR32	Muffler Retainer	1
33	7454HPR33	"O" Ring	1
34	7454HPR34	Air Inlet	1
35	7454HPR35	Lock Ring	1
36	7788HR01	Chuck Screw	1

505 N. Railroad Ave.
P.O. Box 1117
Boynton Beach, Florida 33435

SEE OUR CATALOG
at
www.taylorpneumatic.com

PH. 561-732-1111
FAX 561-731-4412
Toll Free 800-805-8665

02/08 TPTCDPT
all rights reserved
COPYRIGHT 2008
final