

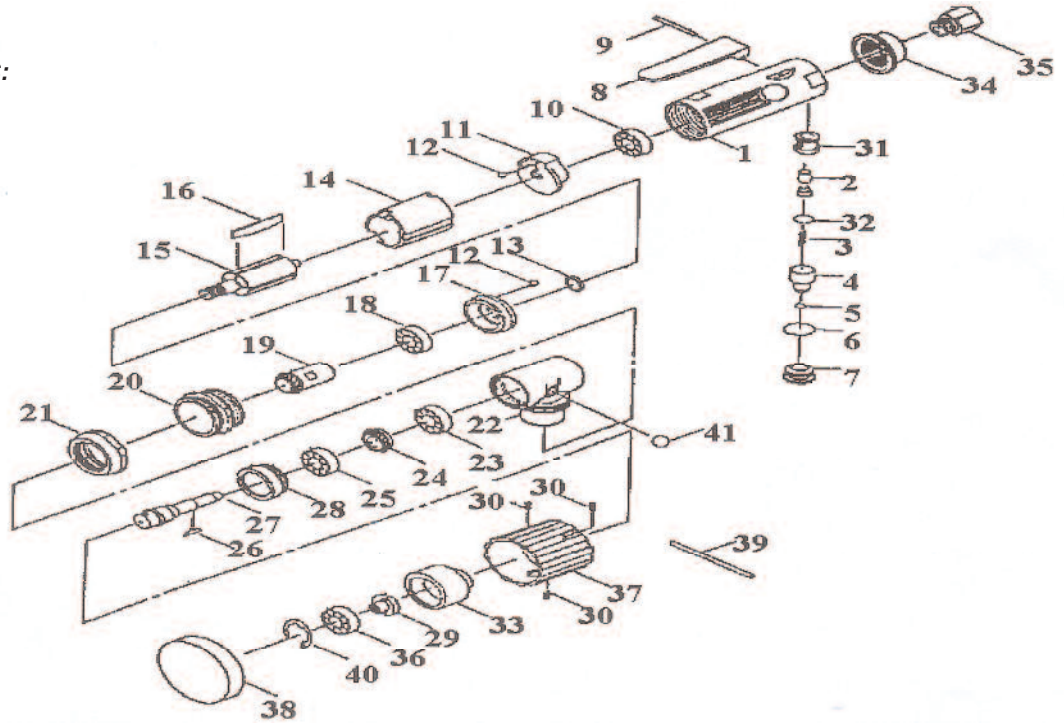
# T-7511

## Dual Action Angle Sander



### OILING INSTRUCTIONS:

OIL AFTER EACH USE WITH 1 OR 2 TABLE-SPOONS OF AIRTOOL OIL THROUGH THE AIR INLET. RUN FOR ONE SECOND TO COAT ALL INTERNAL PARTS.



### USE 90 PSI MAXIMUM

Ref.#	Part #	Description	Qty.
1	751101	Motor Housing	1
2	751102	Valve Stem	1
3	751103	Throttle Spring	1
4	751104	Air Regulator	1
5	751105	"O" Ring	1
6	751106	"O" Ring	1
7	751107	Valve Screw	1
8	751108	Throttle Lever	1
9	751109	Throttle Lever Pin	1
10	751110	Bearing	1
11	751111	Rear End Plate	1
12	751112	Ball	2
13	751113	Rotor Collar	1
14	751114	Cylinder	1
15	751115	Rotor	1
16	751116	Rotor Blade(4 per set)	1 set
17	751117	Front End Plate	1
18	751118	Bearing	1
19	751119	Gear	1
20	751120	Motor Clamp	1
21	751121	Housing Lock Ring	1

Ref.#	Part #	Description	Qty.
22	751122	Angle Head Housing	1
23	751123	Bearing	1
24	751124	Spindle Gear	1
25	751125	Bearing	1
26	751126	Spindle Key	1
27	751127	Spindle	1
28	751128	Clamp Nut	1
29	751129	Spindle	1
30	751130	Hex Screw	3
31	751131	Throttle Valve Bushing	1
32	751132	"O" Ring	1
33	751133	Housing	1
34	751134	Exhaust Deflector	1
35	751135	Air Inlet	1
36	751136	Bearing	1
37	751137	Cover	1
38	751138	Pad	1
39	751139	Wrench	1
40	751140	"C" Ring	1
41	751141	Grease Fitting	1

505 N. Railroad Ave.

P.O. Box 1117

Boynton Beach, Florida 33435

SEE OUR CATALOG

at

www.taylorpneumatic.com

PH. 561-732-1111

FAX 561-731-4412

Toll Free 800-805-8665

08/07 TPTCDPT  
all rights reserved  
COPYRIGHT 2007  
final