

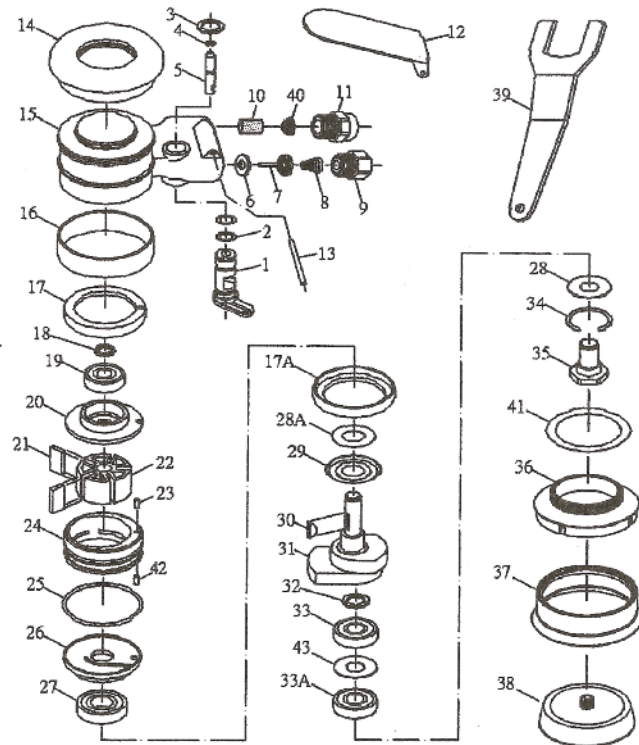
# T-7553

## 3" Palm Grip Sander



### OILING INSTRUCTIONS:

**OIL AFTER EACH USE  
WITH 1 OR 2 TABLE-  
SPOONS OF AIRTOOL OIL  
THROUGH THE AIR INLET.  
RUN FOR ONE SECOND TO  
COAT ALL INTERNAL  
PARTS.**



**USE 90 PSI MAXIMUM**

Ref.#	Part #	Description	Qty.	Ref.#	Part #	Description	Qty.
1	755301	Regulator	1	24	755324	Cylinder	1
2	755302	O-Ring	2	25	755325	O-Ring	1
3	755303	Snap Ring	1	26	755326	Front End Plate	1
4	755304	O-Ring	1	27	755327	Bearing	1
5	755305	Valve Stem	1	28	755328	Washer	1
6	755306	Washer	1	28A	755328A	Washer	1
7	755307	Valve	1	29	755329	Washer	1
8	755308	Spring	1	30	755330	Rotor Key	1
9	755309	Air Inlet	1	31	755331	Balancer	1
10	755310	Silencer	1	32	755332	Snap Ring	1
11	755311	Exhaust Sleeve	1	33	755333	Bearing	1
12	755312	Lever	1	33A	755333A	Bearing	1
13	755313	Pin	1	34	755334	Snap Ring	1
14	755314	Rubber Grip	1	35	755335	Shaft	1
15	755315	Housing	1	36	755336	Housing Cover	1
16	755316	Skirt	1	37	755337	Shroud	1
17	755317	Rubber Bushing	1	38	755338	3" PSA Pad (optional)	
17A	755317A	Rubber Bushng	1	38	755338V	3" Velcro Pad	1
18	755318	Snap Ring	1	39	755339	Spanner Wrench	1
19	755319	Bearing	1	40	755340	Filter	1
20	755320	Rear End Plate	1	41	755341	Washer	1
21	755321	Rotor Blade (5 per set)	1 set	42	755342	Pin	1
22	755322	Rotor	1	43	755343	Shim	1
23	755323	Pin	1	44	755344	3-1/2" Polishing Pad (optional)	

505 N. Railroad Ave.  
P.O. Box 1117  
Boynton Beach, Florida 33435

**SEE OUR CATALOG**  
at  
[www.taylorpneumatic.com](http://www.taylorpneumatic.com)

PH. 561-732-1111  
FAX 561-731-4412  
Toll Free 800-805-8665

03/13 TPTCDPT  
all rights reserved  
copyright 2013  
final