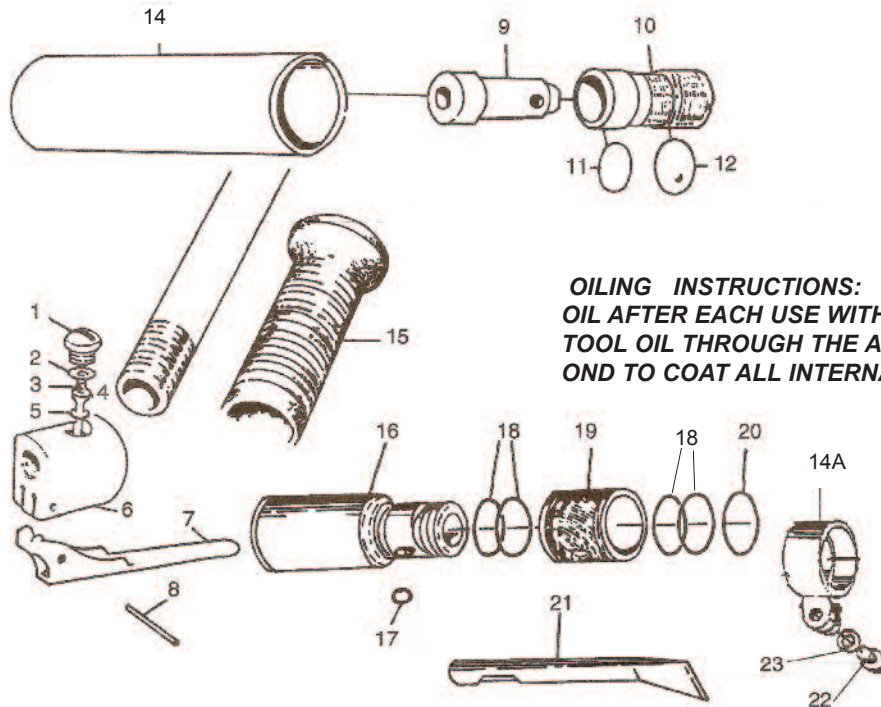


T-7601AH Pistol Grip Weld Flux Scaler



OILING INSTRUCTIONS:
OIL AFTER EACH USE WITH 1 OR 2 TABLESPOONS OF AIR-TOOL OIL THROUGH THE AIR INLET. RUN FOR ONE SECOND TO COAT ALL INTERNAL PARTS.

USE 90 PSI MAXIMUM

Ref.#	Part #	Description	Qty.
1	760101	Valve Cap	1
2	760102	"O" Ring	1
3	760103	Valve Spring	1
4	760104	Valve Stem	1
5	760105	"O" Ring	1
6	760106	Valve Body	1
7	760107	Throttle Lever	1
8	760108	Roll Pin	1
9	760109	Piston	1
10	760110	Cylinder	1
11	760111	"O" Ring	1

Ref.#	Part #	Description	Qty.
12	760112	"O" Ring	1
14	7601AH	Handle	1
14A	7601AH14A	Clamp	1
15	760115	Rubber Grip	1
16	7601AH16	Cylinder Body	1
17	7601AH17	Ball	1
18	7601AH18	"O" Ring	4
19	7601AH19	Chisel Cover	1
20	7601AH20	Snap Ring	1
21	7601AH8	1-1/4" Angle Chisel	1
		(chisels below are optional)	
	7601AH9	3/4" Angle Chisel	
	7601AH1	Diamond Point Chisel	
22	7601AH22	Hex Bolt	1
23	7601AH23	Washer	1

505 N. Railroad Ave.
 P.O. Box 1117
 Boynton Beach, Florida 33435

SEE OUR CATALOG
 at
www.taylorpneumatic.com

PH. 561-732-1111
 FAX 561-731-4412
 Toll Free 800-805-8665

09/09 TPTCDPT
 all rights reserved
 COPYRIGHT 2009
 final