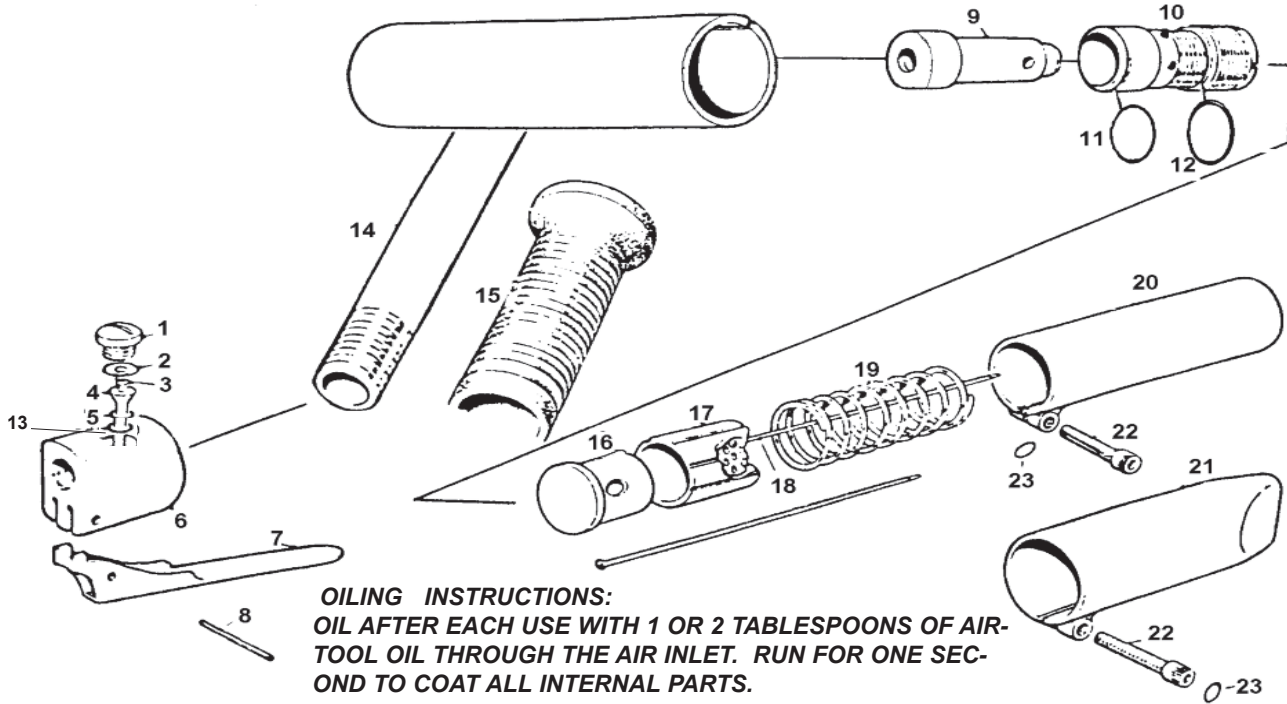


T-7601 Pistol Grip Needle Scaler



OILING INSTRUCTIONS:
OIL AFTER EACH USE WITH 1 OR 2 TABLESPOONS OF AIR-TOOL OIL THROUGH THE AIR INLET. RUN FOR ONE SECOND TO COAT ALL INTERNAL PARTS.

USE 90 PSI MAXIMUM

Ref.#	Part #	Description	Qty.
1	760101	Valve Cap	1
2	760102	O-Ring	1
3	760103	Valve Spring	1
4	760104	Valve Stem	1
5	760105	O-Ring	1
6	760106	Valve Body	1
7	760107	Throttle Lever	1
8	760108	Roll Pin	1
9	760109	Piston	1
10	760110	Cylinder	1
11	760111	O-Ring	1

Ref.#	Part #	Description	Qty.
12	760112	O-Ring	1
13	760113	O-Ring	1
14	760114	Handle	1
15	760115	Handle Grip	1
16	760116	Anvil	1
17	760117	Needle Holder	1 set
18	T-735646	Needle Set(19 per set)	1
19	760119	Spring	1
20	760120	Tube	1
21	760121	Front Tube	2
22	760122	Hex Bolt	2
23	760123	Washer	

505 N. Railroad Ave.
P.O. Box 1117
Boynton Beach, Florida 33435

SEE OUR CATALOG
at
www.taylorpneumatic.com

PH. 561-732-1111
FAX 561-731-4412
Toll Free 800-805-8665

08/07 TPTCDPT
all rights reserved
COPYRIGHT 2007
final