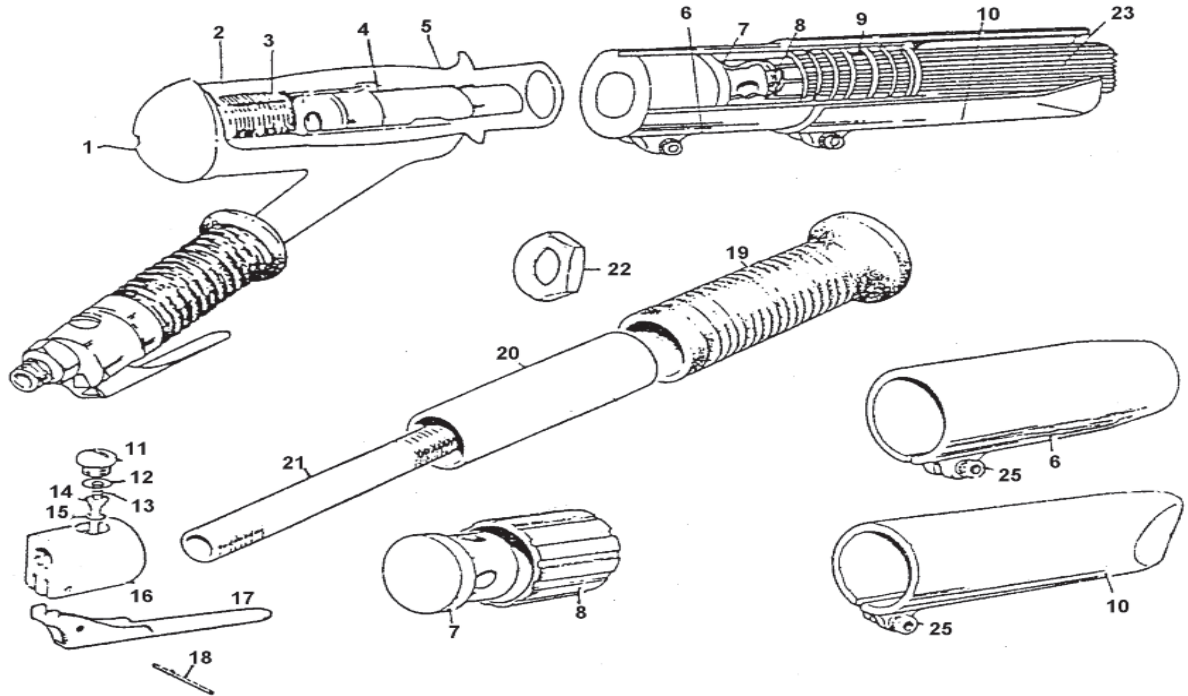


T-7602 Heavy Duty Needle Scaler



**OILING
INSTRUCTIONS:**
OIL AFTER
EACH USE
WITH 2 OR 3
TABLESPOONS
OF AIRTOOL
OIL THROUGH
THE AIR INLET.
RUN FOR ONE
SECOND TO
COAT ALL
INTERNAL
PARTS.



Ref.#	Part #	Description	Qty.
1	760201	Body Cap	1
2	760202	Body	1
3	760203	"O" Ring	1
4	760204	Cylinder	1
5	760205	Piston	1
6	760206	Needle Cover	1
7	760207	Driver	1
8	760208	Needle Holder 4mm	1
9	760209	Spring	1
10	760210	Needle Cover	1
11	760211	Valve Screw	1
12	760212	"O" Ring	1
13	760213	Spring	1
14	760214	Valve Stem	1
15	760215	"O" Ring	1
16	760216	Valve Body	1
17	760217	Trigger	1
18	760218	Pin	1
19	760219	Handle Grip	1
20	760220	Handle Tube	1
21	760221	Center Tube	1

Ref.#	Part #	Description	Qty.
22	760222	Nut	1
23	760223	Needles 4mm (35 per set)	1 set
25	760225	Screw	2

505 N. Railroad Ave.
P.O. Box 1117
Boynton Beach, Florida 33435

SEE OUR CATALOG
at
www.taylorpneumatic.com

PH. 561-732-1111
FAX 561-731-4412
Toll Free 800-805-8665

08/07 TPTC
all rights reserved
COPYRIGHT 2007
final