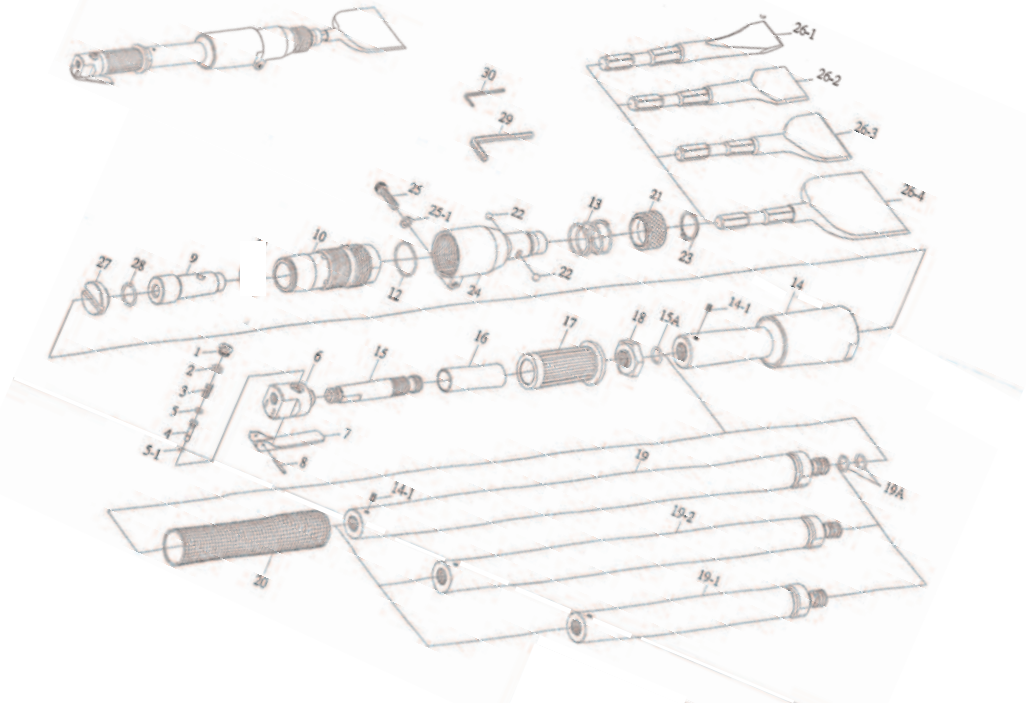


T-7603 T-7603K Long Reach Scraper and Kit



OILING INSTRUCTIONS:

OIL AFTER EACH USE WITH 2 OR 3 TABLESPOONS OF AIRTOOL OIL THROUGH THE AIR INLET. RUN FOR ONE SECOND TO COAT ALL INTERNAL PARTS.



USE 90 PSI MAXIMUM

Ref.#	Part #	Description	Qty.
1	760301	Valve Cap	1
2	760302	"O" Ring	1
3	760303	Valve Spring	1
4	760304	Valve Stem	1
5	760305	"O" Ring	1
6	760306	Valve Body	1
7	760307	Throttle Lever	1
8	760308	Roll Pin	1
9	760309	Piston	1
10	760310	Cylinder	1
12	760312	"O" Ring	1
13	760313	Spring	1
14	760314	Cover Assembly	1

Ref.#	Part #	Description	Qty.
14-1	760314-1	Screw	3
15	760315	Center Tube	1
15A	760315A	"O" Ring	1
16	760316	Handle Tube	1
17	760317	Handle Grip	1
18	760318	Locknut	1
19*	760319	Extension Bar 23.5"	2
19-1*	760319-1	Extension Bar 12.0"	2
19-2*	760319-2	Extension Bar 19.5"	1
19A	760319A	"O" Ring	1
20	760320	Handle Grip	1
21	760321	Chisel Cover	1
22	760322	5/16 Ball	1
23	760323	Snap Ring	1
24	760324	Chisel Holder	1
25	760325	Bolt	1
26	T-760326	4" Chisel w/7603&K	1
26	T-760326A	1-1/2" Chisel (w/7603K)	
26	T-760326B	2" Chisel (w/7603K)	
26	T-760326C	2-3/4" Chisel (w/7603K)	
27	760327	Cylinder Cover	1
28	760328	O-Ring	1
29	760329	Allen Wrench 6mm	1
30	760330	Allen Wrench 2.5mm	1

*
Extension bars -
T-7603 comes with 2 760319's. Each are 23.5" long.

T-7603K comes with 2 760319-2's. Each are 19.5" plus 1 760319-1 that is 12" long.

505 N. Railroad Ave.
P.O. Box 1117
Boynton Beach, Florida 33435

SEE OUR CATALOG
at
www.taylorpneumatic.com

PH. 561-732-1111
FAX 561-731-4412
Toll Free 800-805-8665

01/12 TPTCDPT
all rights reserved
COPYRIGHT 2011
final