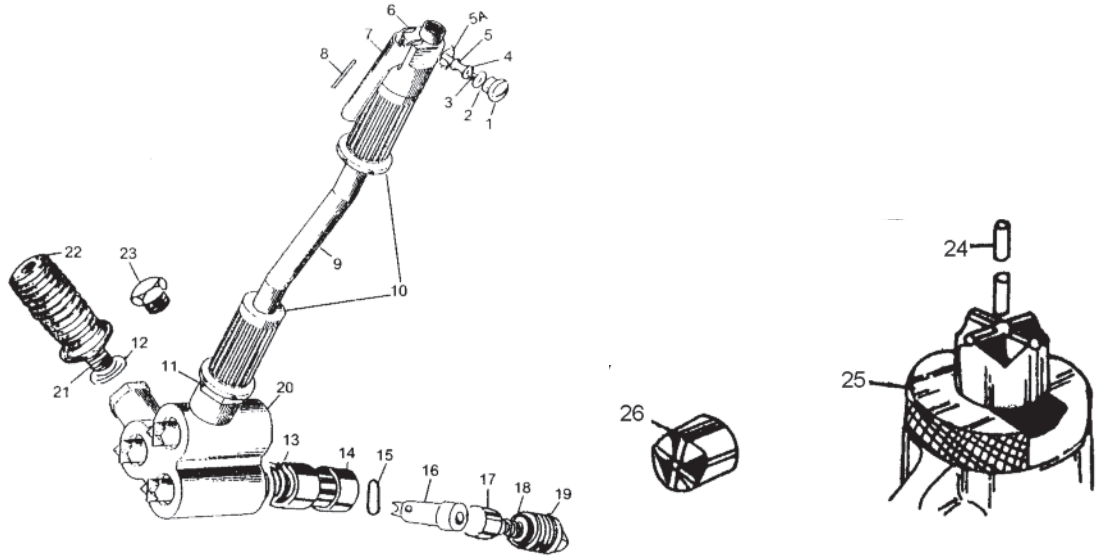


T-7604A Scaling Hammer

3 Piston Carbide Tipped



OILING INSTRUCTIONS:
OIL AFTER EACH USE WITH 2 OR 3 TABLESPOONS OF AIRTOOL OIL THROUGH THE AIR INLET. RUN FOR ONE SECOND TO COAT ALL INTERNAL PARTS.



USE 90 PSI MAXIMUM

Ref.#	Part #	Description	Qty.
1	760401	Valve Cap	1
2	760402	"O" Ring	1
3	760403	Valve Spring	1
4	760404	Valve Stem	1
5	760405	"O" Ring	1
5A	760405A	"O"Ring	1
6	760406	Valve Body	1
7	760407	Throttle Lever	1
8	760408	Roll Pin	1
9	760409	Handle	1
10	760410	Rubber Handle Grip	2
11	760411	Locknut	1
12	760412	"O" Ring	1
13	760413	Wiper Seal	3

Ref.#	Part #	Description	Qty.
14	760414	Cylinder	3
15	760415	"O" Ring	3
16	760416	Piston	3
17	760417	Spring Cap	3
18	760418	Spring	3
19	760419	Plunger Cap	3
20	7604A20	Body	1
21	760421	Side Handle	1
22	760422	Secondary Rubber Handle	1
23	760423	Plug	1
24	760424	Punch Pin	1
25	760425	Punch Plate	1
26	760426	Head (Carbide Tipped)	3

505 N. Railroad Ave.
P.O. Box 1117
Boynton Beach, Florida 33435

SEE OUR CATALOG
at
www.taylorpneumatic.com

PH. 561-732-1111
FAX 561-731-4412
Toll Free 800-805-8665

06/08TPTCDPT
all rights reserved
COPYRIGHT 2008
final