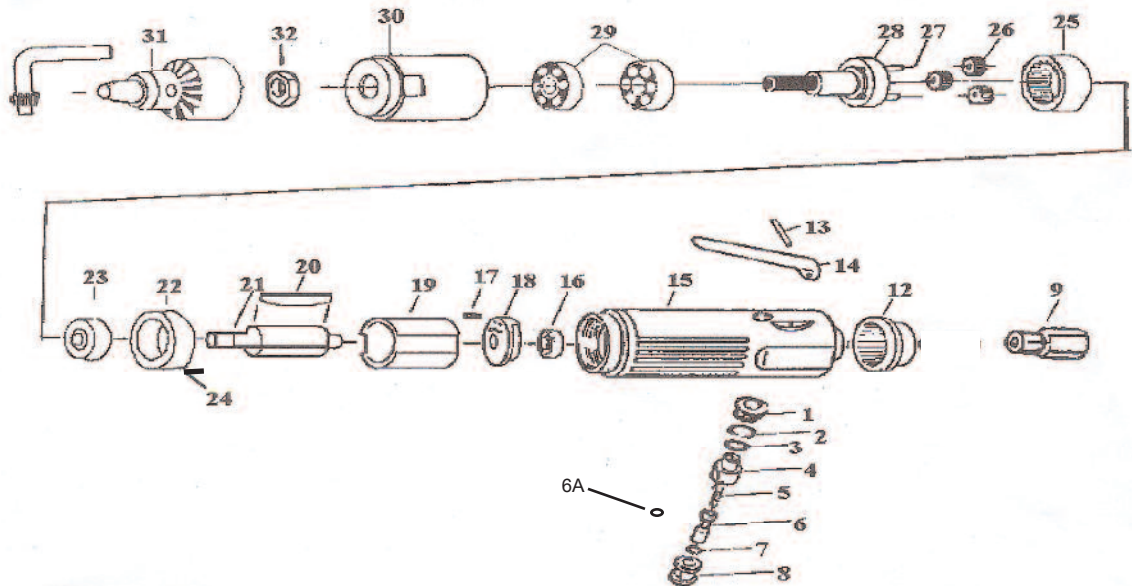


T-7701D 2500 RPM Drill



**OILING
INSTRUCTIONS:**
OIL AFTER
EACH USE
WITH 2 OR 3
TABLESPOONS
OF AIRTOOL
OIL THROUGH
THE AIR INLET.
RUN FOR ONE
SECOND TO
COAT ALL
INTERNAL
PARTS.



USE 90 PSI MAXIMUM

Ref.#	Part #	Description	Qty.
1	7701D01	Valve Screw	1
2	7701D02	"O"-Ring	1
3	7701D03	"O"-Ring	1
4	7701D04	Air Controller	1
5	7701D05	Valve Spring	1
6	7701D06	Valve Stem	1
6A	7701D06A	"O"-Ring	1
7	7701D07	"O"-Ring	1
8	7701D08	Valve Bushing	1
9	7701D09	Inlet Bushing	1
12	7701D12	Exhaust Deflector	1
13	7701D13	Spring Pin	1
14	7701D14	Throttle Lever	1
15	7701D15	Motor Housing	1
16	7701D16	Bearing	1

Ref.#	Part #	Description	Qty.
17	7701D17	Spring Pin	1
18	7701D18	Rear End Plate	1
19	7701D19	Cylinder	1
20	7701D20	Rotor Blade (4 to set)	1 set
21	7701D21	Rotor	1
22	7701D22	Front Plate	1
23	7701D23	Bearing	1
24	7701D24	Spring Pin	1
25	7701D25	Internal Gear	1
26	7701D26	Planet Gear	3
27	7701D27	Planet Pin	3
28	7701D28	Planet Carrier	1
29	7701D29	Bearing	2
30	7701D30	Gear Housing	1
31	7788-C	Drill Chuck and Key	1
32	7701D32	Nut	1

505 N. Railroad Ave.
P.O. Box 1117
Boynton Beach, Florida 33435

SEE OUR CATALOG
at
www.taylorpneumatic.com

PH. 561-732-1111
FAX 561-731-4412
Toll Free 800-805-8665

06/08 TPTCDPT
all rights reserved
COPYRIGHT2008
final