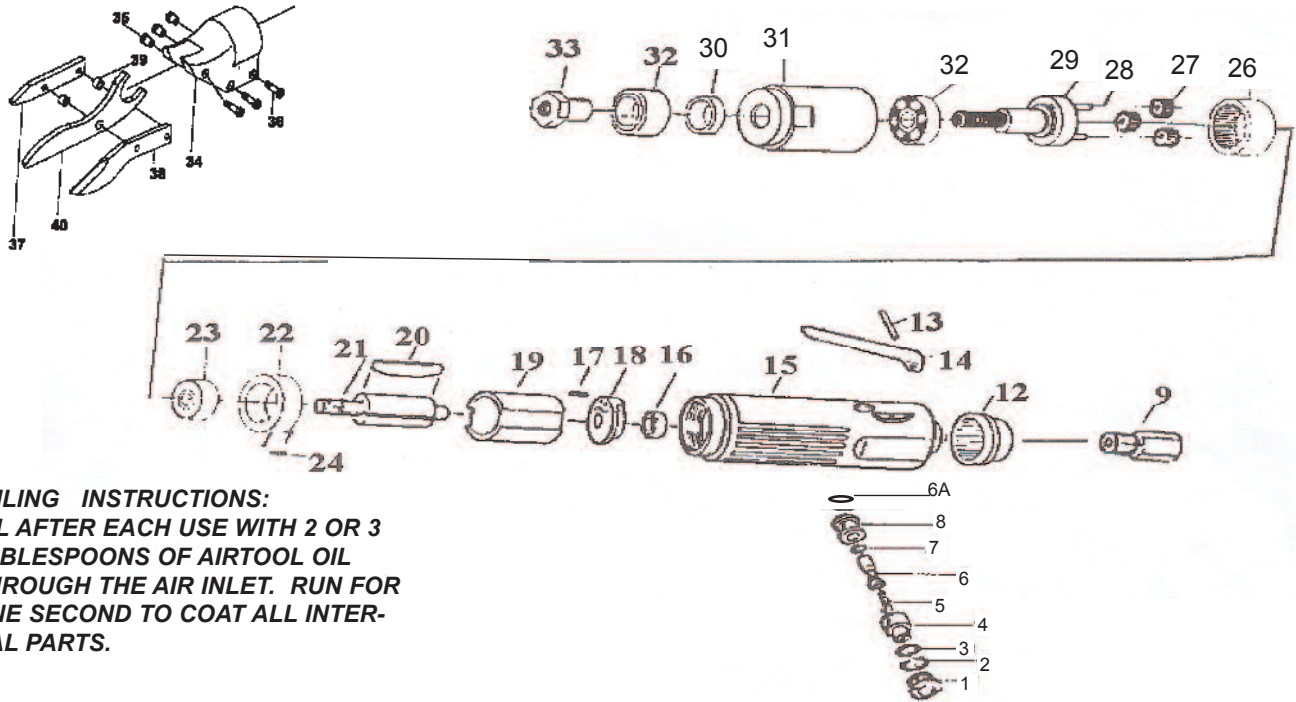


T-7701SS

Straight Handle Scissor Shear



OILING INSTRUCTIONS:
OIL AFTER EACH USE WITH 2 OR 3
TABLESPOONS OF AIRTOOL OIL
THROUGH THE AIR INLET. RUN FOR
ONE SECOND TO COAT ALL INTER-
NAL PARTS.

USE 90 PSI MAXIMUM

Ref.#	Part #	Description	Qty.
1	7701SS01	Valve Screw	1
2	7701SS02	"O" Ring	1
3	7701SS03	"O" Ring	1
4	7701SS04	Air Controller	1
5	7701SS05	Valve Spring	1
6	7701SS06	Valve Stem	1
6A	7701SS06A	"O" Ring	1
7	7701SS07	"O" Ring	1
8	7701SS08	Valve Bushing	1
9	7701SS09	Inlet Bushing	1
12	7701SS12	Exhaust Deflector	1
13	7701SS13	Spring Pin	1
14	7701SS14	Throttle Lever	1
15	7701SS15	Motor Housing	1
16	7701SS16	Bearing	1
17	7701SS17	Spring Pin	1
18	7701SS18	Rear End Plate	1
19	7701SS19	Cylinder	1
20	7701SS20	Rotor Blade(4 per set)	1 set

Ref.#	Part #	Description	Qty.
21	7701SS21	Rotor	1
22	7701SS22	Front Plate	1
23	7701SS23	Bearing	1
24	7701SS24	Spring Pin	2
25	7701SS25	Bearing	1
26	7701SS26	Internal Gear	1
27	7701SS27	Planet Gear	3
28	7701SS28	Planet Pin	3
29	7701SS29	Planet Carrier	1
30	7701SS30	Spacer	1
31	7701SS31	Bearing and Gear Cap	1
32	7701SS32	Bearing	2
33	7701SS33	Nut	1
34	7701SS34	Cutter-Housing	1
35	7701SS35	Lock Nut	3
36	7701SS36	Lock Screw	3
37	7700SS37	Right Blade	1
38	7700SS38	Left Blade	1
39	7700SS39	Spacer	2
40	7700SS40	Center Blade	1

505 N. Railroad Ave.
P.O. Box 1117
Boynton Beach, Florida 33435

SEE OUR CATALOG
at
www.taylorpneumatic.com

PH. 561-732-1111
FAX 561-731-4412
Toll Free 800-805-8665

06/09 TPTCDPT
all rights reserved
COPYRIGHT 2009
final