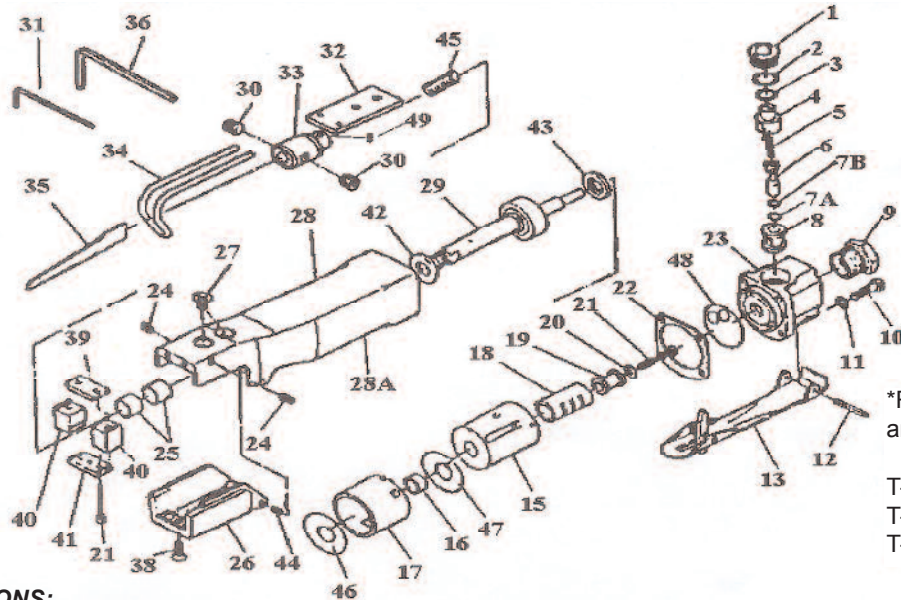


T-7702 Mini Saw



*Replacement blades are optional. (10 Pack)

T-770218 (18TPI)
 T-770224 (24TPI)
 T-770232 (32TPI)

OILING INSTRUCTIONS:
OIL AFTER EACH USE WITH 2 OR 3 TABLESPOONS OF AIRTOOL OIL THROUGH THE AIR INLET. RUN FOR ONE SECOND TO COAT ALL INTERNAL PARTS.

USE 90 PSI MAXIMUM

Ref.#	Part #	Description	Qty.
1	770201	Valve Screw	1
2	770202	"O" Ring	1
3	770203	"O" Ring	1
4	770204	Air Regulator	1
5	770205	Valve Spring	1
6	770206	Valve Stem	1
7A	770207A	"O" Ring	1
7B	770207B	"O" Ring	1
8	770208	Valve Bushing	1
9	770209	Inlet Bushing	1
10	770210	Cap Screw	4
11	770211	Washer	4
12	770212	Lever Pin	1
13	770213	Throttle Lever	1
15	770215	Valve Case	1
16	770216	Bushing	1
17	770217	Cylinder	1
18	770218	Valve Sleeve	1
19	770219	Actuating Valve	1
20	770220	Washer	1
21	770221	Cap Screw	3
22	770222	Gasket	1
23	770223	Valve Block	1
24	770224	Set Screw	2
25	770225	Bushing	2
26	770226	Chuck Cover	1
27	770227	Screw	2

Ref.#	Part #	Description	Qty.
28	770228	Housing	1
28A	770228A	Plastic Wrap	1
29	770229	Piston Assembly	1
30	770230	Set Screw	2
31	770231	Service Wrench	1
32	770232	Guide Plate	1
33	770233	Blade Chuck	1
34A	770234A	Work Guide - long	1
34B	770234B	Work Guide - short	1
35	T-770232	Blade (32TPI)	1
	T-770224	Blade (24TPI)	1
	T-770218	Blade (18TPI) (optional)	0
36	770236	Service Wrench	1
38	770238	Screw	1
38A	770238A	Retaining Ring	1
39	770239	Upper Wear Shoe	1
40	770240	Blade Guide	2
41	770241	Bridge	1
42	770242	Front Bumper	1
43	770243	Rear Bumper	1
44	770244	Pin	2
45	770245	Spring	1
46	770246	Packing	1
47	770247	Packing	1
48	770248	Packing	1
49	770249	Set Screw	1

505 N. Railroad Ave.
 P.O. Box 1117
 Boynton Beach, Florida 33435

SEE OUR CATALOG
 at
www.taylorpneumatic.com

PH. 561-732-1111
 FAX 561-731-4412
 Toll Free 800-805-8665

06/08 TPTCDPT
 all rights reserved
 COPYRIGHT 2008
 final