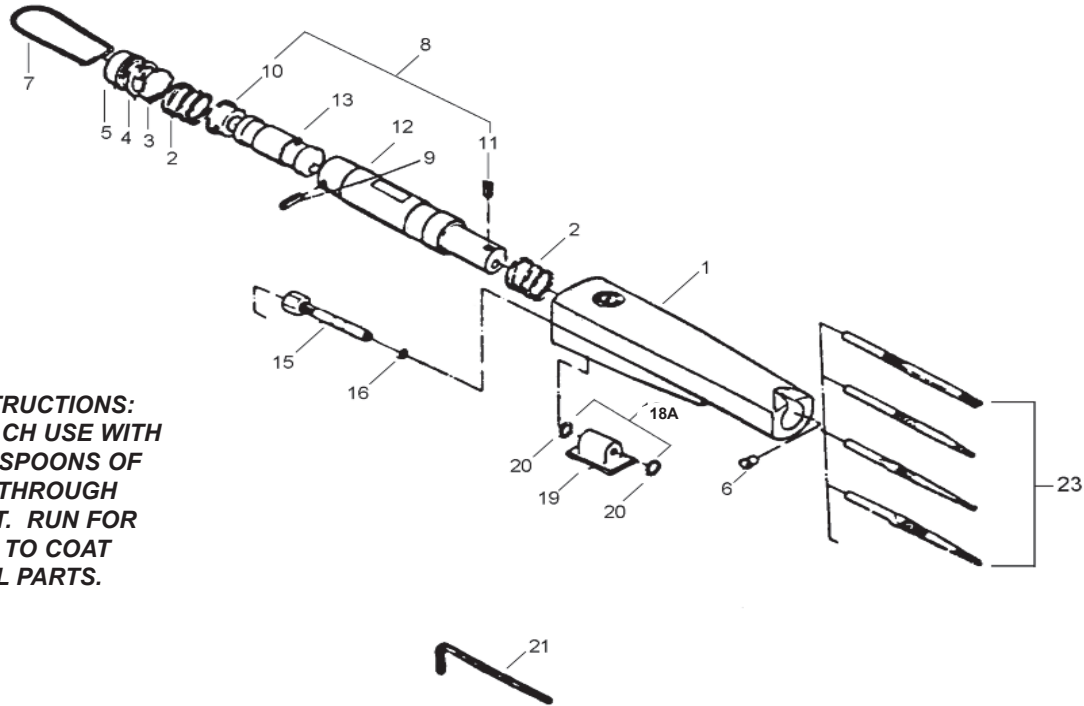


# T-7705 Heavy Duty File



**OILING INSTRUCTIONS:**  
**OIL AFTER EACH USE WITH**  
**2 OR 3 TABLESPOONS OF**  
**AIRTOOL OIL THROUGH**  
**THE AIR INLET. RUN FOR**  
**ONE SECOND TO COAT**  
**ALL INTERNAL PARTS.**

## USE 90 PSI MAXIMUM

| Ref.# | Part #  | Description       | Qty.  |
|-------|---------|-------------------|-------|
| 1     | 770501A | Housing           | 1     |
| 2     | 770502  | Spring            | 2     |
| 3     | 770503  | Filter            | 1     |
| 4     | 770504  | Retaining Ring    | 1     |
| 5     | 770505  | Cap               | 1     |
| 6     | 770506  | Guide Key         | 1     |
| 7     | 770507  | Hanger            | 1     |
| 8     | 770508  | Cylinder Assembly | 1 set |
| 9     | 770509  | Spring Pin        | 1     |
| 10    | 770510  | Plug              | 1     |
| 11    | 770511  | Screw             | 1     |
| 12    | 770512  | Cylinder          | 1     |

| Ref.# | Part #   | Description           | Qty.  |
|-------|----------|-----------------------|-------|
| 13    | 770513   | Piston                | 1     |
| 15    | 770515   | Valve Nipple          | 1     |
| 16    | 770516   | "O" Ring              | 1     |
| 18    | 770518A  | Valve Assembly        | 1 set |
| 19    | 770519   | Valve                 | 1     |
| 20    | 770520   | "O" Ring              | 2     |
| 21    | 770521   | Hexagon Wrench(3mm)   | 1     |
| 23    | T-770501 | <b>Set of 4 files</b> |       |
|       |          | Rat Tail              | 1     |
|       |          | Triangular            | 1     |
|       |          | Half Round            | 1     |
|       |          | Flat                  | 1     |

505 N. Railroad Ave.

P.O. Box 1117

Boynton Beach, Florida 33435

**SEE OUR CATALOG**

at

[www.taylorpneumatic.com](http://www.taylorpneumatic.com)

PH. 561-732-1111

FAX 561-731-4412

Toll Free 800-805-8665

06/08 TPTCDPT  
 all rights reserved  
 COPYRIGHT 2008  
 final