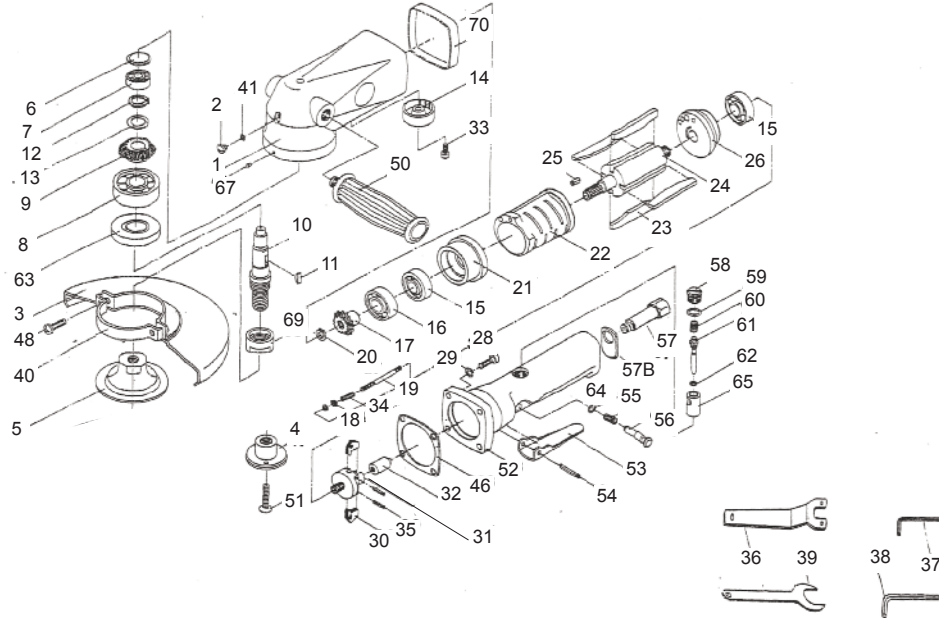


T-7707 7" Angle Grinder



OILING INSTRUCTIONS:
OIL AFTER EACH USE WITH 2 OR 3 TABLESPOONS OF AIRTOOL OIL THROUGH THE AIR INLET. RUN FOR ONE SECOND TO COAT ALL INTERNAL PARTS.



USE TYPE 27 WHEELS,
Gloves, Eye Protection
and Hearing Protection

USE 90 PSI MAXIMUM

Ref.#	Part #	Description	Qty.
1	770701	Motor Housing	1
2	770702	Plug	1
3	770703	Wheel Guard	1
3A	770703A	Wheel Guard & Strap	1
4	770704	Flange	1
5	770705	Flange Nut	1
6	770706	Seal Plate	1
7	770707	Bearing	1
8	770708	Bearing	1
9	770709	Bevel Gear	1
10	770710	Arbor	1
11	770711	Key	1
12	770712	Stop Ring	1
13	770713	Washer	1
14	770714	Exhaust Deflector	1
15	770715	Bearing	2
16	770716	Bearing	1
17	770717	Bevel Pinion	1
18	770718	Hex. Nut	1
19	770719	Adjust Screw	1
20	770720	Stop Ring	1
21	770721	Front End Plate	1
22	770722	Cylinder	1
23	770723	Rotor Blade (4)	1 set
24	770724	Rotor	1
25	770725	Spring Pin	2
26	770726	Rear End Plate	1
28	770728	Hex Bolt	4
29	770729	Spring Washer	4
30	770730	Pendulum	8
31	770731	Governor	1

Ref.#	Part #	Description	Qty.
32	770732	Plunger	1
33	770733	Hex Bolt	1
34	770734	Spring	1
35	770735	Spring Pin	2
36	770736	Spanner Wrench	1
37	770737	4mm AllenWrench	1
38	770738	1/4" AllenWrench	1
39	770739	24mm Wrench	1
40	770740	Guard Clamp Plate	1
41	770741	"O" Ring	2
46	770746	Gasket	1
48	770748	Screw	2
50	770750	Handle	1
51	770751	Flange Stop Screw	1
52	770752	Throttle Valve Housing	1
53	770753	Throttle Lever	1
54	770754	Spring Pin	1
55	770755	Spring	1
56	770756	Lock Pin	1
57	770757	Air Inlet	1
57B	770757B	Support Plate	1
58	770758	Throttle Housing Plug	1
59	770759	"O" Ring	1
60	770760	Valve Spring	1
61	770761	Valve Stem	1
62	770762	"O" Ring	1
63	770763	Arbor Bearing Cap	1
64	770764	"E" Ring	1
65	770765	Bushing	1
67	770767	Set Screw	1
69	770769	Adjust Nut	1
70	770770	Rubber Guard	1

505 N. Railroad Ave.
P.O. Box 1117
Boynton Beach, Florida 33435

SEE OUR CATALOG
at
www.taylorpneumatic.com

PH. 561-732-1111
FAX 561-731-4412
Toll Free 800-805-8665

07/11 TPTCDPT
all rights reserved
COPYRIGHT 2011
final