

T-7714 4" Angle Grinder

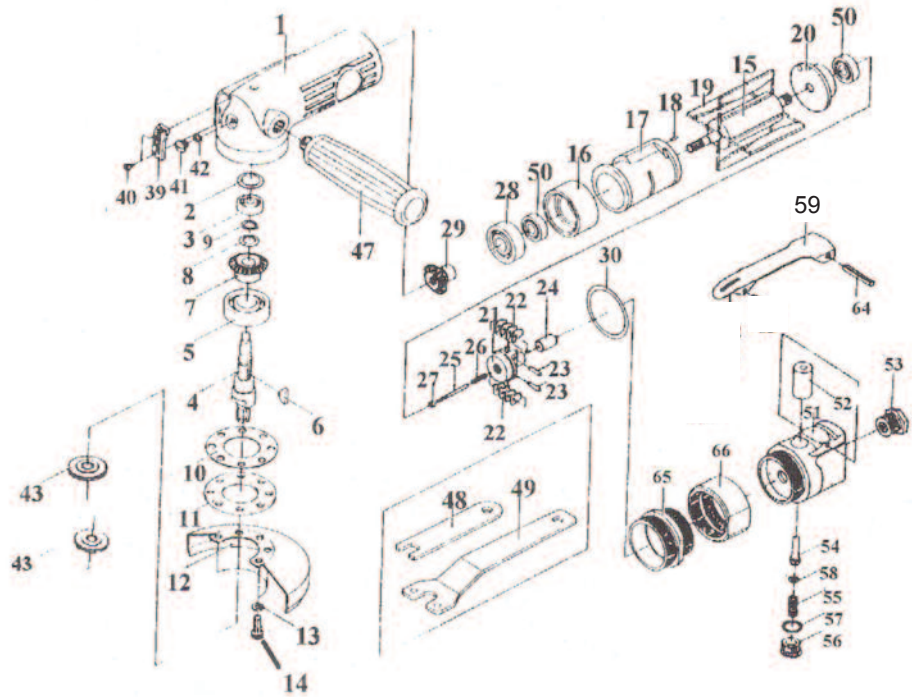
T-7715 5" Angle Grinder



OILING INSTRUCTIONS:

OIL AFTER EACH USE WITH 1 OR 2 TABLE-SPOONS OF AIRTOOL OIL THROUGH THE AIR INLET. RUN FOR ONE SECOND TO COAT ALL INTERNAL PARTS.

USE TYPE 27 WHEELS, Gloves, Eye Protection and Hearing Protection



USE 90 PSI MAXIMUM

Ref.#	Part #	Description	Qty.
1	771401N	Motor Housing	1
2	771402N	Seal Plate	1
3	771403N	Bearing	1
4	771404N	Arbor	1
5	771405N	Bearing	1
6	771406N	Woodruff Key	1
7	771407N	Bevel Gear	1
8	771408N	Wave Washer	1
9	771409N	Stop Ring	1
10	771410N	Gasket	1
11	771411N	Retainer	1
12(4")	771412N	4" Wheel Guard	1
12(5")	771512N	5" Wheel Guard	1
13	771413N	Spring Washer(includes #14)	5
14	771414N	Hex Bolt(includes #13)	5
15	771415N	Rotor	1
16	771416N	Front End Plate	1
17	771417N	Cylinder	1
18	771418N	Spring Pin	1
19	771419N	Rotor Blade (4)	1 set
20	771420N	Rear End Plate	1
21	771421N	Governor	1
22	771422N	Pendulum	8
23	771423N	Spring Pin	2
24	771424N	Plunger	1
25	771425N	Adjust Screw	1
26	771426N	Spring	1
27	771427N	Adjust Nut	1

Ref.#	Part #	Description	Qty.
28	771428N	Bearing	1
29	771429N	Bevel Pinion	1
30	771430N	O-Ring	1
39	771439N	Exhaust Deflector	1
40	771440N	Tapping Screw	2
41	771441N	Plug	1
43	771443N	Flange Nut	2
47	771447N	Handle	1
48	771448N	10mm Wrench	1
49	771449N	Spanner Wrench	1
50	771450N	Bearing	2
51	771451N	Throttle Valve Housing	1
52	771452N	Bushing	1
53	771453N	Air Inlet Bushing	1
54	771454N	Valve Stem(includes #58)	1
55	771455N	Valve Spring	1
56	771456N	Throttle Housing	1
57	771457N	O-Ring	1
58	771458N	O-Ring(includes #54)	1
59	771459AN	Lever Assembly Complete	1
64	771464N	Spring Pin	1
65	771465N	Lock Ring	1
66	771466N	Coupling Nut	1

505 N. Railroad Ave.
P.O. Box 1117
Boynton Beach, Florida 33435

SEE OUR CATALOG
at
www.taylorpneumatic.com

PH. 561-732-1111
FAX 561-731-4412
Toll Free 800-805-8665

09/07 TPTCDPT
all rights reserved
COPYRIGHT 2007
final