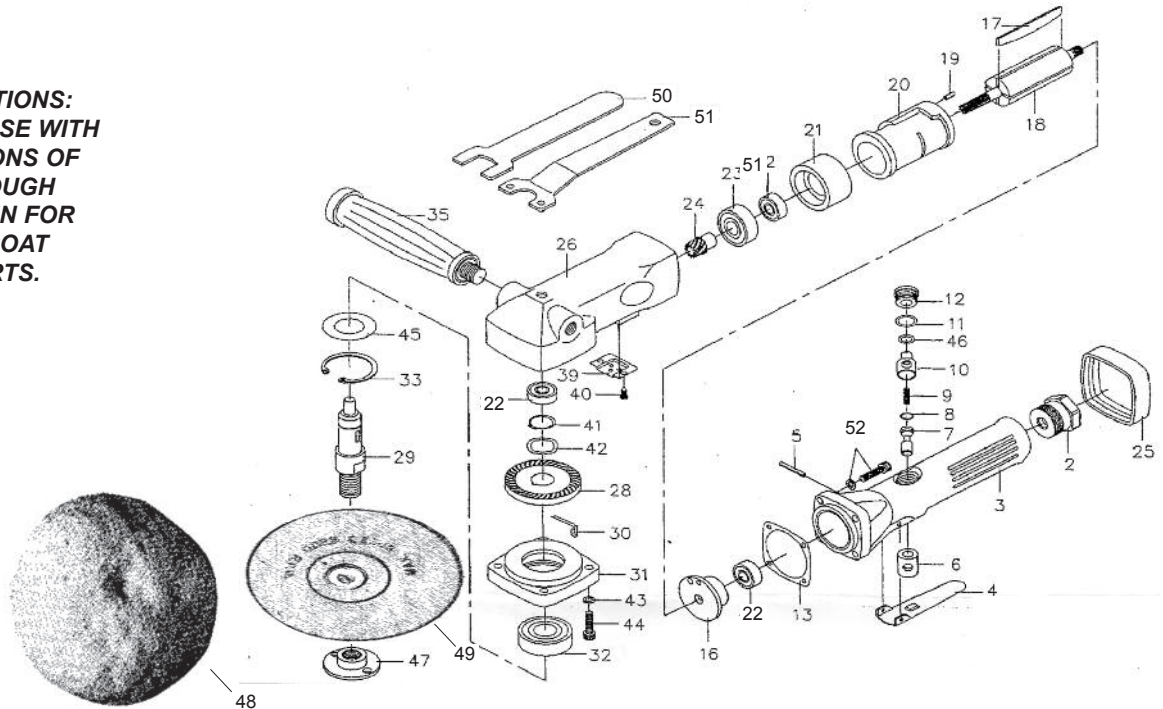


T-7716 7" Angle Sander T-7716P 7" Angle Polisher

1 HP 5/8" x 11 Spindle



OILING INSTRUCTIONS:
OIL AFTER EACH USE WITH
2 OR 3 TABLESPOONS OF
AIRTOOL OIL THROUGH
THE AIR INLET. RUN FOR
ONE SECOND TO COAT
ALL INTERNAL PARTS.



USE 90 PSI MAXIMUM

Ref.#	Part #	Description	Qty.
2	771602	Air Inlet	1
3	771603	Handle	1
4	771604	Lever	1
5	771605	Lever Pin	1
6	771606	Valve Bushing	1
7	771607	Valve Stem	1
8	771608	"O"-Ring	1
9	771609	Valve Spring	1
10	771610	Regulator	1
11	771611	"O"-Ring	1
12	771612	Valve Screw	1
13	771613	Gasket	1
16	771616	Rear End Plate	1
17	771617	Rotor Blade (set of 4)	1 set
18	771618	Rotor	1
19	771619	Cylinder Pin	1
20	771620	Cylinder	1
21	771621	Front End Plate	1
22	771622	Bearing	3
23	771623	Bearing	1
24	771624	Pinion (Sander)	1
24	7716P24	Pinion (Polisher)	1
25	771625	Housing Band	1

Ref.#	Part #	Description	Qty.
26	771626	Motor Housing	1
28	771628	Bevel Gear (Sander)	1
28	7716P28	Bevel Gear (Polisher)	1
29	771629	Spindle	1
30	771630	Woodruff Key	1
31	771631	Housing Cap	1
32	771632	Bearing	1
33	771633	Retaining Ring	1
35	771635	Handle	1
37	771637	Cap Screw	1
39	771639	Exhaust Deflector	1
40	771640	Screw	4
41	771641	Retaining Ring	1
42	771642	Wave Washer	1
43	771643	Spring Washer	4
44	771644	Screw	4
45	771645	Wave Washer	1
46	771646	O-Ring	1
47	771647	Locknut	1
48	T-7472	Polishing Pad(w/7716P)	1
49	T-7470A	Spiral Back Up Pad	1
50	771650N	Flat Wrench	1
51	771651N	Spanner Wrench	1
52	771652N	Washer & Screw	4

505 N. Railroad Ave.
P.O. Box 1117
Boynton Beach, Florida 33435

SEE OUR CATALOG
at

www.taylorpneumatic.com

PH. 561-732-1111

FAX 561-731-4412

Toll Free 800-805-8665

10/13 TPTCDPT
all rights reserved
COPYRIGHT 2013
final