

T-7718P

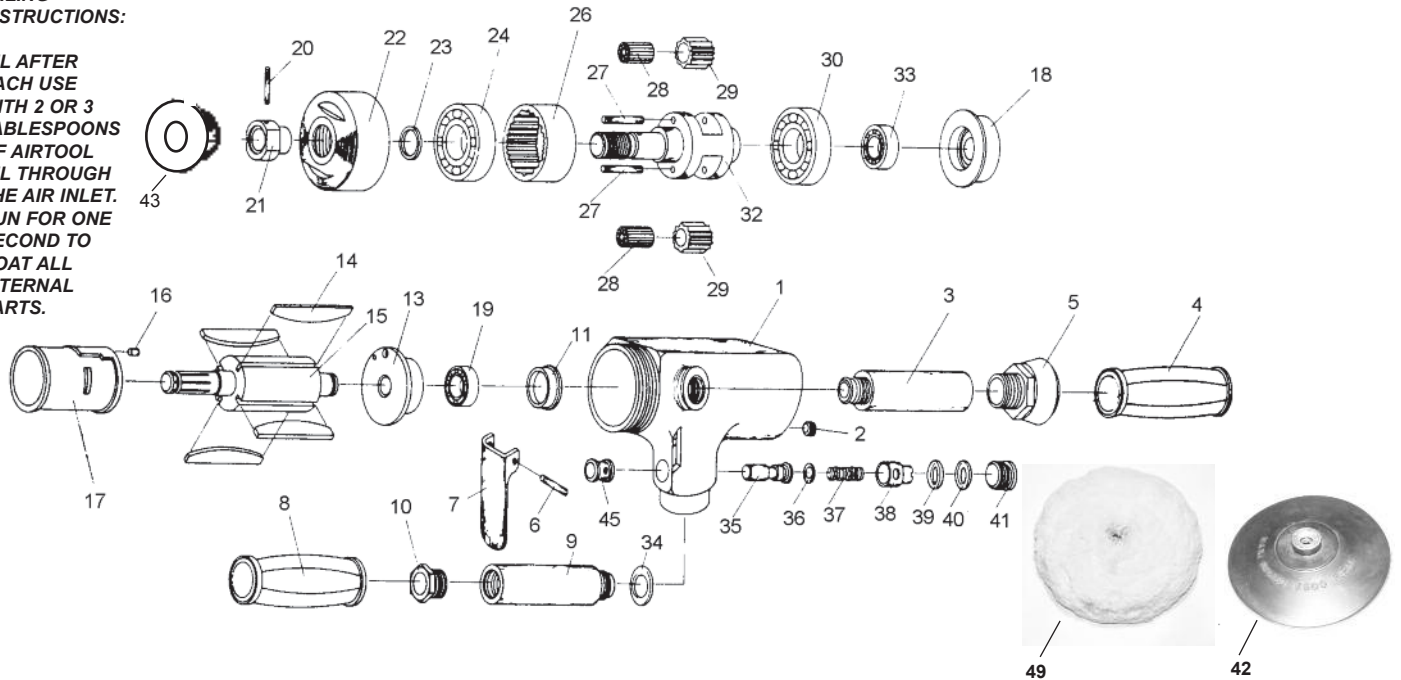
7" Vertical Polisher

2000 RPM



OILING INSTRUCTIONS:

OIL AFTER EACH USE WITH 2 OR 3 TABLESPOONS OF AIRTOOL OIL THROUGH THE AIR INLET. RUN FOR ONE SECOND TO COAT ALL INTERNAL PARTS.



USE 90 PSI MAXIMUM

Ref.#	Part #	Description	Qty.
1	7718P01	Motor Housing	1
2	7718P02	Set Screw	1
3	7718P03	Exhaust Handle	1
4	7718P04	Handle Grip	1
5	7718P05	Exhaust Deflector	1
6	7718P06	Spring Pin	1
7	7718P07	Throttle Lever	1
8	7718P08	Handle Grip	1
9	7718P09	Inlet Handle	1
10	7718P10	Air Inlet Bushing	1
11	7718P11	Bearing Cap	1
13	7718P13	Rear End Plate	1
14	7718P14	Rotor Blades(4 per set)	1 set
15	7718P15	Rotor	1
16	7718P16	Spring Pin	1
17	7718P17	Cylinder	1
18	7718P18	Front End Plate	1
19	7718P19	Bearing	1
20	7718P20	Spring Pin	1
21	7718P21	Collar	1
22	7718P22	Clamp Nut	1
23	7718P23	Oil Seal	1

Ref.#	Part #	Description	Qty.
24	7718P24	Bearing	1
26	7718P26	Internal Gear	1
27	7718P27	Gear Pin	2
28	7718P28	Needle Roller	22
29	7718P29	Planet Gear	2
30	7718P30	Bearing	1
32	7718P32	Planet Cage	1
33	7718P33	Bearing	1
34	7718P34	"O" Ring	1
35	7718P35	Valve Stem	1
36	7718P36	"O" Ring	1
37	7718P37	Valve Spring	1
38	7718P38	Air Regulator	1
39	7718P39	"O" Ring	1
40	7718P40	"O" Ring	1
41	7718P41	Valve Screw	1
42	T-7470A	Pad	1
43	7718P43	Pad Nut	1
45	7718P45	Bushing	1
47	7718P47	Wrench (not shown)	1
48	7718P48	Spanner wrench (not shown)	1
49	T-7472	Polishing Pad	1

505 N. Railroad Ave.
P.O. Box 1117
Boynton Beach, Florida 33435

SEE OUR CATALOG
at
www.taylorpneumatic.com

PH. 561-732-1111
FAX 561-731-4412
Toll Free 800-805-8665

10/07 TPTCDPT
all rights reserved
COPYRIGHT 2007
final