

T-7718

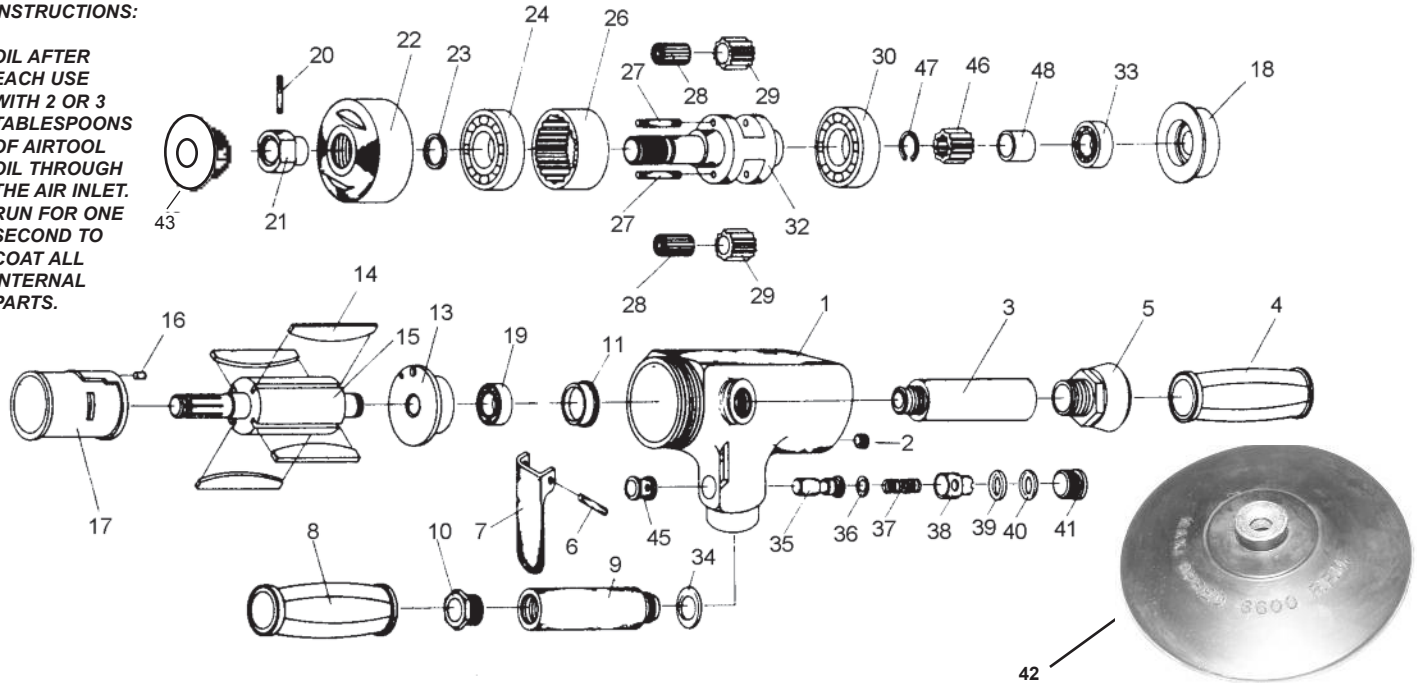
7" Vertical Sander

4000 RPM



OILING INSTRUCTIONS:

OIL AFTER EACH USE WITH 2 OR 3 TABLESPOONS OF AIRTOOL OIL THROUGH THE AIR INLET. RUN FOR ONE SECOND TO COAT ALL INTERNAL PARTS.



USE 90 PSI MAXIMUM

Ref.#	Part #	Description	Qty.
1	771801	Motor Housing	1
2	771802	Set Screw	1
3	771803	Exhaust Handle	1
4	771804	Handle Grip	1
5	771805	Exhaust Deflector	1
6	771806	Spring Pin	1
7	771807	Throttle Lever	1
8	771808	Handle Grip	1
9	771809	Inlet Handle	1
10	771810	Inlet Bushing	1
11	771811	Bearing Cap	1
13	771813	Rear End Plate	1
14	771814	Rotor Blades (4 per set)	1 set
15	771815	Rotor	1
16	771816	Spring Pin	1
17	771817	Cylinder	1
18	771818	Front End Plate	1
19	771819	Bearing	1
20	771820	Spring Pin	1
21	771821	Collar	1
22	771822	Clamp Nut	1
23	771823	Oil Seal	1
24	771824	Bearing	1

Ref.#	Part #	Description	Qty.
26	771826	Internal Gear	1
27	771827	Planet Pin	2
28	771828	Needle Roller	22
29	771829	Planet Gear	2
30	771830	Bearing	1
32	771832	Planet Cage	1
33	771833	Bearing	1
34	771834	"O" Ring	1
35	771835	Valve Stem	1
36	771836	"O" Ring	1
37	771837	Valve Spring	1
38	771838	Air Regulator	1
39	771839	"O" Ring	1
40	771840	"O" Ring	1
41	771841	Valve Screw	1
42	T-7470A	Pad	1
43	771843	Pad Nut	1
45	771845	Bushing	1
46	771846	Sun Gear	1
47	771847	External Stop Ring	1
48	771848	Spacer	1
49	771849	Wrench (not shown)	1
50	771850	SpannerWrench (not shown)	1

505 N. Railroad Ave.
P.O. Box 1117
Boynton Beach, Florida 33435

SEE OUR CATALOG
at
www.taylorpneumatic.com

PH. 561-732-1111
FAX 561-731-4412
Toll Free 800-805-8665

10/07 TPTCDPT
all rights reserved
COPYRIGHT 2007
final