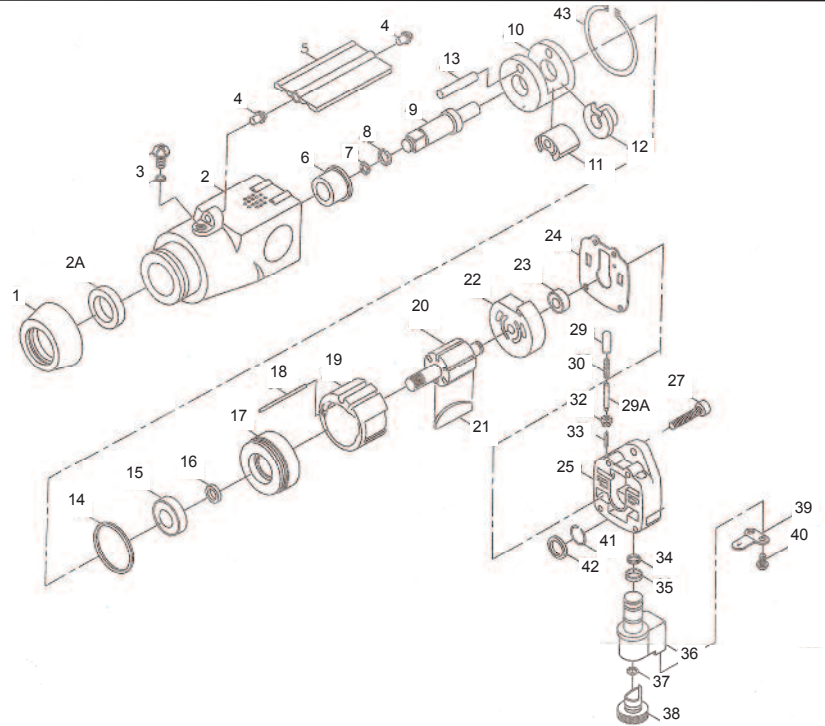


# T-7720N 3/8" Butterfly Impact Wrench



**OILING INSTRUCTIONS:**

**OIL AFTER EACH USE WITH 2 OR 3 TABLESPOONS OF AIR-TOOL OIL THROUGH THE AIR INLET. RUN FOR ONE SECOND TO COAT ALL INTERNAL PARTS.**

**USE 90 PSI MAXIMUM**

Ref.#	Part #	Description	Qty.
1	772001N	Rubber Nose Guard	1
2	772002N3	Motor Housing	1
2A	772002AN3	Oil Seal	1
3	772003N3	Oiler Screw & "O"Ring	1
4	772004N	Throttle Pin	2
5	772005N	Throttle Lever	1
6	772006N	Anvil Bushing	1
7	772007N	"O" Ring	1
8	772008N	Retainer Ring	1
9	772009N3	Anvil	1
10	772010N	Hammer Cage	1
11	772011N	Hammer	1
12	772012N	Cam	1
13	772013N	Hammer Pin	1
14	772014N3	"O" Ring	1
15	772015N3	Bearing	1
16	772016N3	Oil Seal	1
17	772017N3	Front End Plate	1
18	772018N	Motor Pin	1
19	772019N3	Cylinder	1
20	772020N	Rotor	1
21	772021N	Rotor Blades (set of 6)	1 set

Ref.#	Part #	Description	Qty.
22	772022N3	Rear End Plate	1
23	772023N3	Bearing	1
24	772024N	Back Cap Gasket	1
25	772025N	Back Cap	1
27	772027N3	Cap Screw	4
29	772029N	Plunger	2
29A	772029AN	Valve	2
30	772030N	Spring	2
32	772032N	Valve Seat	2
33	772033N	Valve Spring	2
34	772034N	"O" Ring	2
35	772035N	"O" Ring	1
36	772036N	Air Inlet Block	1
37	772037N	"O" Ring	1
38	772038N	Regulator	1
39	772039N	Retainer Plate	1
40	772040N	Screw	2
41	772041N	Retaining Ring	1
42	772042N	Fixing Ring	1
43	772043N3	Snap Ring	1

505 N. Railroad Ave.  
P.O. Box 1117  
Boynton Beach, Florida 33435

**SEE OUR CATALOG**  
at  
[www.taylorpneumatic.com](http://www.taylorpneumatic.com)

PH. 561-732-1111  
FAX 561-731-4412  
Toll Free 800-805-8665

11/08 TPTCDPT  
all rights reserved  
COPYRIGHT 2008  
final