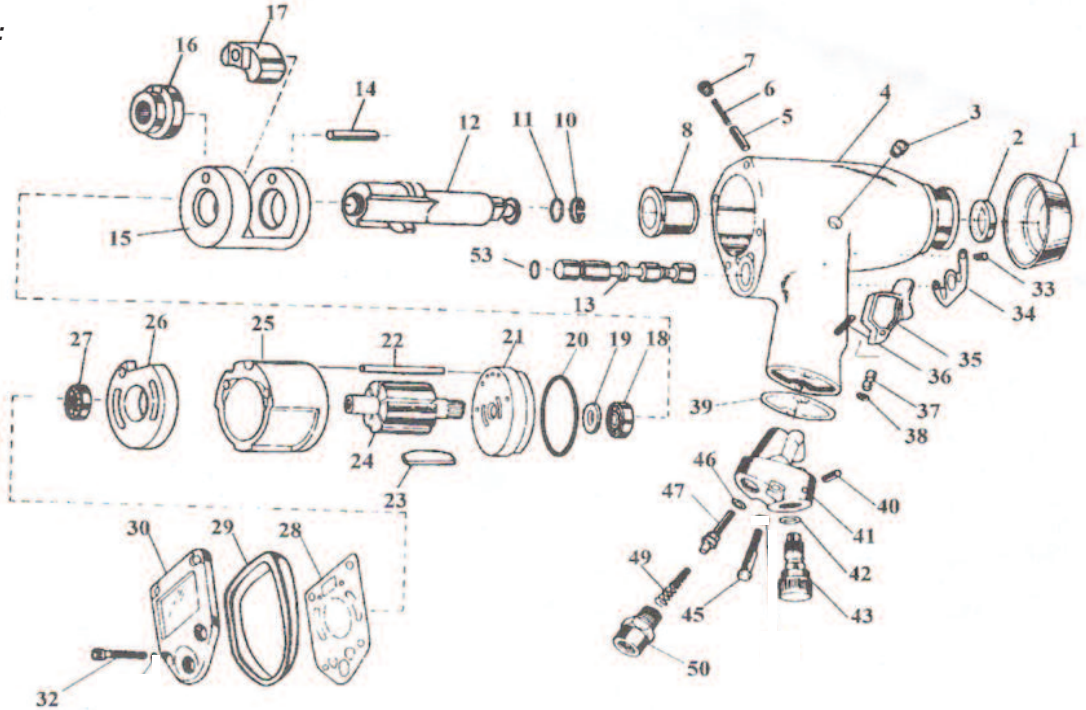


# T-7724 3/8" Pistol Grip Impact Wrench



## OILING INSTRUCTIONS:

OIL AFTER EACH USE WITH 2 OR 3 TABLE-SPOONS OF AIRTOOL OIL THROUGH THE AIR INLET. RUN FOR ONE SECOND TO COAT ALL INTERNAL PARTS.



## USE 90 PSI MAXIMUM - HIGHER PRESSURE CAN CAUSE CLUTCH FAILURE

Ref.#	Part #	Description	Qty.
1	772401	Rubber Nose Guard	1
2	772402	Oil Seal	1
3	772403	Oiler Screw	1
4	772404	Motor Housing	1
5	772405	Reverse Valve Pin	1
6	772406	Spring	1
7	772407	Set Screw	1
8	772408	Housing Bushing	1
10	772410	Retaining Ring	1
11	772411	O-Ring	1
12	772412	Anvil	1
13	772413	Reverse Valve	1
14	772414	Hammer Cage Pin	1
15	772415	Hammer Cage	1
16	772416	Cam	1
17	772417	Hammer Dog	1
18	772418	Bearing	1
19	772419	Oil Seal	1
20	772420	O-Ring	1
21	772421	Front End Plate	1
22	772422	Motor Pin	1
23	772423	Rotor Blades (set of 6)	1 set
24	772424	Rotor	1
25	772425	Cylinder	1
26	772426	Rear End Plate	1

Ref.#	Part #	Description	Qty.
27	772427	Bearing	1
28	772428	Gasket	1
29	772429	Housing Band	1
30	772430	Housing Cap	1
32	772432	Cap Screw & Washers	4 sets
33	772433	Screw	2
34	772434	Exhaust Cover	1
35	772435	Throttle Lever	1
36	772436	Pin	1
37	772437	Push Pin	1
38	772438	O-Ring	1
39	772439	Gasket	1
40	772440	Pin	1
41	772441	Valve Block	1
41A	772441A	Complete Valve Block	1
42	772442	O-Ring	1
43	772443	Regulator Valve	1
45	772445	Cap Screw	2
46	772446	O-Ring	1
47	772447	Throttle Valve	1
49	772449	Spring	1
50	772450	Hose Adapter	1
53	772453	O-Ring	1

505 N. Railroad Ave.  
P.O. Box 1117  
Boynton Beach, Florida 33435

**SEE OUR CATALOG**  
at  
[www.taylorpneumatic.com](http://www.taylorpneumatic.com)

PH. 561-732-1111  
FAX 561-731-4412  
Toll Free 800-805-8665

10/07 TPTCDPT  
all rights reserved  
COPYRIGHT 2007  
final