

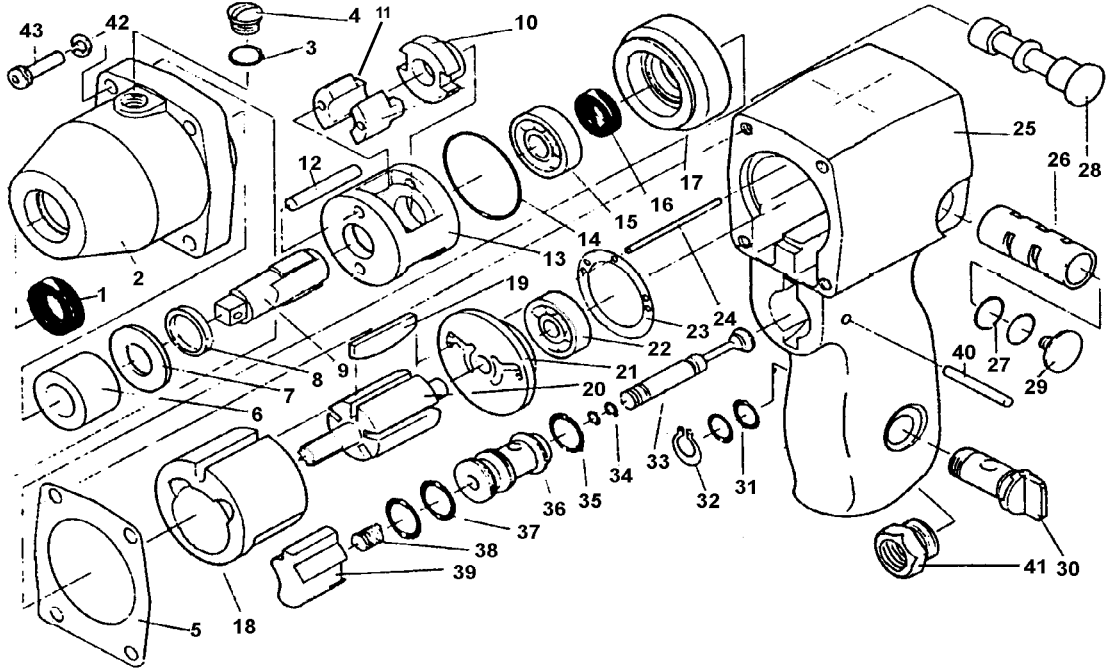
T-7725

1/4" Impact Wrench



OILING INSTRUCTIONS:

OIL AFTER EACH USE WITH 2 OR 3 TABLE-SPOONS OF AIRTOOL OIL THROUGH THE AIR INLET. RUN FOR ONE SECOND TO COAT ALL INTERNAL PARTS.



USE 90 PSI MAXIMUM

Ref.#	Part #	Description	Qty.
1	772501	Oil Seal	1
2	772502	Housing	1
3	772503	O-Ring	1
4	772504	Screw	1
5	772505	Gasket	1
6	772506	Bushing	1
7	772507	Washer	1
8	772508	Cage Collar	1
9	772509	Anvil	1
10	772510	Cam	1
11	772511	Dog	2
12	772512	Hammer Pin	2
13	772513	Cage	1
14	772514	O-Ring	1
15	772515	Bearing	1
16	772516	Oil Seal	1
17	772517	Front End Plate	1
18	772518	Cylinder	1
19	772519	Rotor Blades (set of 5)	1 set
20	772520	Rotor	1
21	772521	Rear End Plate	1
22	772522	Bearing	1

Ref.#	Part #	Description	Qty.
23	772523	Gasket	1
24	772524	Pin	1
25	772525	Housing	1
26	772526	Bushing	1
27	772527	O-Ring	2
28	772528	Reverse Valve	1
29	772529	Screw	1
30	772530	Regulator	1
31	772531	O-Ring	2
32	772532	Snap Ring	1
33	772533	Throttle Valve	1
34	772534	O-Ring	2
35	772535	O-Ring	1
36	772536	Bushing	1
37	772537	O-Ring	2
38	772538	Spring	1
39	772539	Trigger	1
40	772540	Pin	1
41	772541	Air Inlet	1
42	772542	Lock Washer	4
43	772543	Screw	4

505 N. Railroad Ave.
P.O. Box 1117
Boynton Beach, Florida 33435

SEE OUR CATALOG
at
www.taylorpneumatic.com

PH. 561-732-1111
FAX 561-731-4412
Toll Free 800-805-8665

10/07 TPTCDPT
all rights reserved
COPYRIGHT 2007
final