

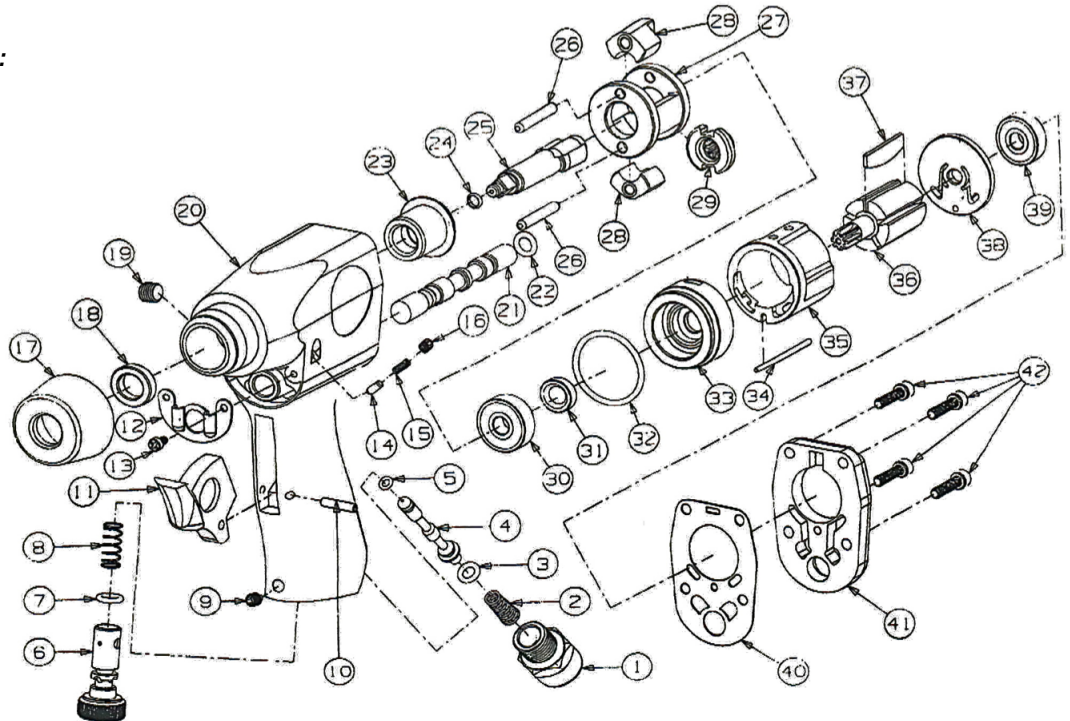
# T-7725T

## 1/4" Impact Wrench

**Taylor**  
Pneumatic Tool Company

### OILING INSTRUCTIONS:

**OIL AFTER EACH USE WITH 2 OR 3 TABLE-SPOONS OF AIRTOOL OIL THROUGH THE AIR INLET. RUN FOR ONE SECOND TO COAT ALL INTERNAL PARTS.**



### USE 90 PSI MAXIMUM

Ref.#	Part #	Description	Qty.
1	7725T01	Inlet bushing	1
2	7725T02	Spring	1
3	7725T03	O-ring	1
4	7725T04	Valve stem	1
5	7725T05	O-ring	1
6	7725T06	Regulator	1
7	7725T07	O-ring	1
8	7725T08	Spring	1
9	7725T09	Screw	1
10	7725T10	Pin	1
11	7725T11	Trigger	1
12	7725T12	Deflector	1
13	7725T13	Screw	2
14	7725T14	Reverse valve pin	1
15	7725T15	Spring	1
16	7725T16	Screw	2
17	7725T17	Nose guard	1
18	7725T18	Oil seal	1
19	7725T19	Screw	1
20	7725T20	Motor housing	1
21	7725T21	Reverse valve	1
22	7725T22	O-ring	1
23	7725T23	Bushing	1
24	7725T24	Retainer	1

Ref.#	Part #	Description	Qty.
25	7725T25	Anvil	1
26	7725T26	Hammer pin	2
27	7725T27	Hammer frame	1
28	7725T28	Hammer	2
29	7725T29	Cam	1
30	7725T30	Bearing	1
31	7725T31	Oil seal	1
32	7725T32	O-ring	1
33	7725T33	Front end plate	1
34	7725T34	Motor pin	1
35	7725T35	Cylinder	1
36	7725T36	Rotor	1
37	7725T37	Rotor blade (set of 5)	1 set
38	7725T38	Rear End Plate	1
39	7725T39	Bearing	1
40	7725T40	Gasket	1
41	7725T41	Cover	1
42	7725T42	Screw	4

505 N. Railroad Ave.  
P.O. Box 1117  
Boynton Beach, Florida 33435

**SEE OUR CATALOG**  
at  
[www.taylorpneumatic.com](http://www.taylorpneumatic.com)

PH. 561-732-1111  
FAX 561-731-4412  
Toll Free 800-805-8665

07/11 TPTCDPT  
all rights reserved  
COPYRIGHT 2011  
final