

# T-7728 3/8" Ratchet Wrench

# T-7729 1/2" Ratchet Wrench

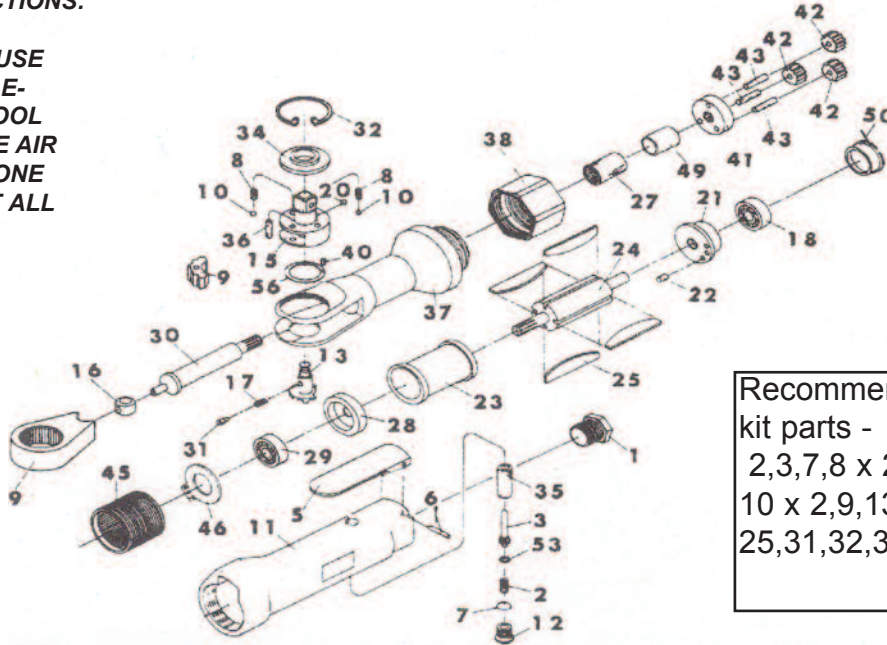


### OILING INSTRUCTIONS:

OIL AFTER EACH USE WITH 2 OR 3 TABLE-SPOONS OF AIRTOOL OIL THROUGH THE AIR INLET. RUN FOR ONE SECOND TO COAT ALL INTERNAL PARTS.

### NOTE:

Always keep ratchet head clean from sand and dirt. Failure to do so will void the warranty.



Recommended tune up kit parts -  
2,3,7,8 x 2,  
10 x 2,9,13,15,16,17,20,  
25,31,32,34,36,40,53,56

### USE 90 PSI MAXIMUM

Ref.#	Part #	Description	Qty.
1	772801N	Air Inlet Bushing	1
2	772802N	Throttle Spring	1
3	772803N	Valve Stem	1
5	772805N	Throttle Lever	1
6	772806N	Spring Pin	1
7	772807N	O-Ring	1
8	772808N	Friction Spring	2
9	772809N	Pawl	1
10	772810N	Ball	2
11	772811N	Throttle Handle	1
12	772812N	Throttle Valve Plug	1
13	772813N	Reverse Button	1
13	772913N	Reverse Button	1
15	772815N	3/8" Ratchet Anvil	1
15	772915N	1/2" Ratchet Anvil	1
16	772816N	Drive Bushing	1
17	772817N	Ratchet Spring	1
18	772818N	Bearing	1
20	772820N	Ball	1
20	772920N	Ball	1
21	772821N	Rear End Plate	1
22	772822N	Spring Pin	1
23	772823N	Cylinder	1
24	772824N	Rotor	1
25	772825N	Rotor Blades (4 per set)	1 set

Ref.#	Part #	Description	Qty.
27	772827N	Needle Bearing	1
28	772828N	Front End Plate	1
29	772829N	Bearing	1
30	772830N	Crank Shaft	1
31	772831N	Spring Cap	1
32	772832N	Internal Stop Ring	1
34	772834N	Thrust Washer	1
34	772934N	Thrust Washer	1
35	772835N	Throttle Valve	1
36	772836N	Needle Roller	1
37	772837N	Ratchet Housing	1
38	772838N	Clamp Nut	1
39	772839N	Ratchet Yoke	1
40	772840N	Spring Pin	1
41	772841N	Idler Spindle	1
42	772842N	Idler Gear	3
43	772843N	Pin	3
45	772845N	Internal Gear	1
46	772846N	Exhaust Cover	1
49	772849N	Bushing	1
50	772850N	Bearing Cap	1
53	772853N	O-Ring	1
56	772856N	Washer	1
	772899N	3/8" Drive Assembly	1
	772999N	1/2" Drive Assembly	1

505 N. Railroad Ave.  
P.O. Box 1117  
Boynton Beach, Florida 33435

SEE OUR CATALOG  
at  
[www.taylorpneumatic.com](http://www.taylorpneumatic.com)

PH. 561-732-1111  
FAX 561-731-4412  
Toll Free 800-805-8665

01/11 TPTCDPT  
all rights reserved  
COPYRIGHT 2011  
final