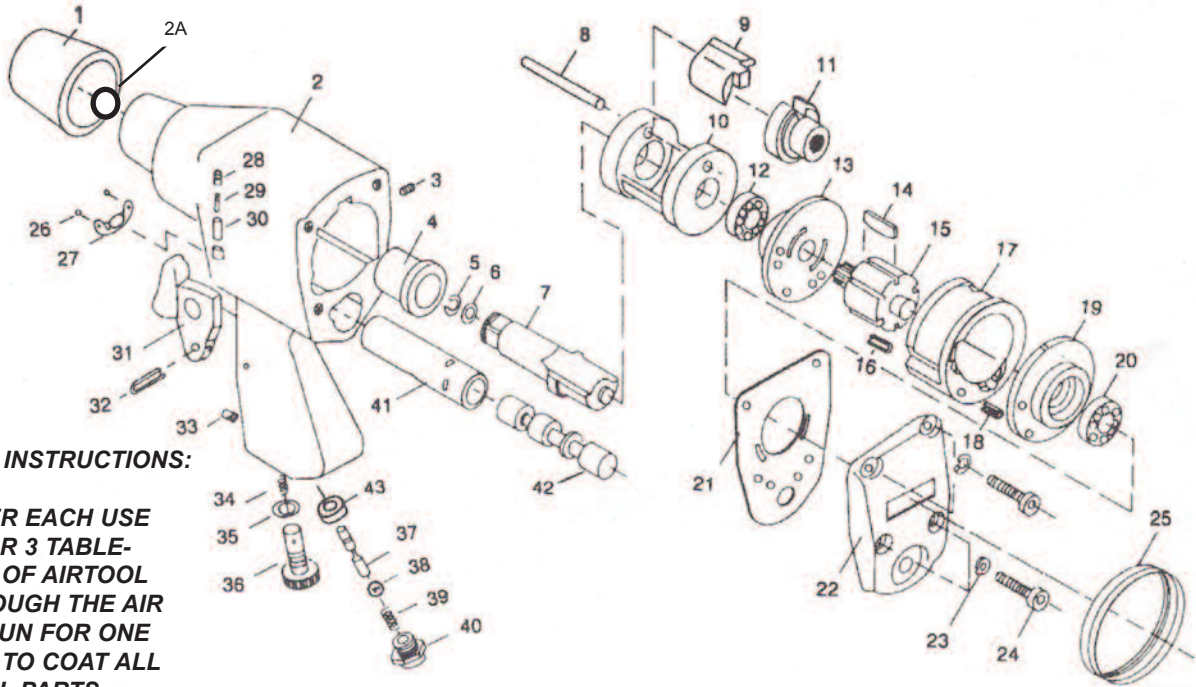


T-7734 1/2" Impact Wrench
T-7734L 1/2" Impact Wrench
w/ 2" Extended Anvil



OILING INSTRUCTIONS:

OIL AFTER EACH USE WITH 2 OR 3 TABLESPOONS OF AIRTOOL OIL THROUGH THE AIR INLET. RUN FOR ONE SECOND TO COAT ALL INTERNAL PARTS.

USE 90 PSI MAXIMUM - HIGHER PRESSURE CAN CAUSE CLUTCH

Ref.#	Part #	Description	Qty.
1	773401N	Rubber Protector	1
2	773402N	Housing	1
2A	773402AN	Oil Seal	1
3	773403N	Screw	1
4	773404N	Anvil Bushing	1
5	773405N	Anvil Collar	1
6	773406N	"O" Ring	1
7	773407N	Anvil (1/2"SQ)	1
7	7734L07N	Anvil (1/2"SQ w/ 2" Ext.)	1
8	773408N	Hammer Pin	1
9	773409N	Hammer Dog	1
10	773410N	Hammer Cage	1
11	773411N	Drive Cam	1
12	773412N	Bearing	1
13	773413N	Front End Plate	1
14	773414N	Rotor Blade	6
15	773415N	Rotor	1
16	773416N	Pin	1
17	773417N	Cylinder	1
18	773418N	Pin	1
19	773419N	Rear End Plate	1
20	773420N	Bearing	1
21	773421N	Rear Gasket	1

Ref.#	Part #	Description	Qty.
22	773422N	Rear Cover	1
23	773423N	Washer	4
24	773424N	Screw	4
25	773425N	Rubber Protector	1
26	773426N	Screw	2
27	773427N	Exhaust Deflector	1
28	773428N	Screw	1
29	773429N	Spring	1
30	773430N	Pin	1
31	773431N	Trigger	1
32	773432N	Pin	1
33	773433N	Screw	1
34	773434N	Spring	1
35	773435N	"O" Ring	1
36	773436N	Regulator Knob	1
37	773437N	Valve Stem	1
38	773438N	Ball	1
39	773439N	Spring	1
40	773440N	Hose Adapter	1
41	773441N	Valve Sleeve	1
42	773442N	Reverse Valve	1
43	773443N	Seal	1

505 N. Railroad Ave.
P.O. Box 1117
Boynton Beach, Florida 33435

SEE OUR CATALOG
at
www.taylorpneumatic.com

PH. 561-732-1111
FAX 561-731-4412
Toll Free 800-805-8665

10/07 TPTCDPT
all rights reserved
COPYRIGHT 2007
final