

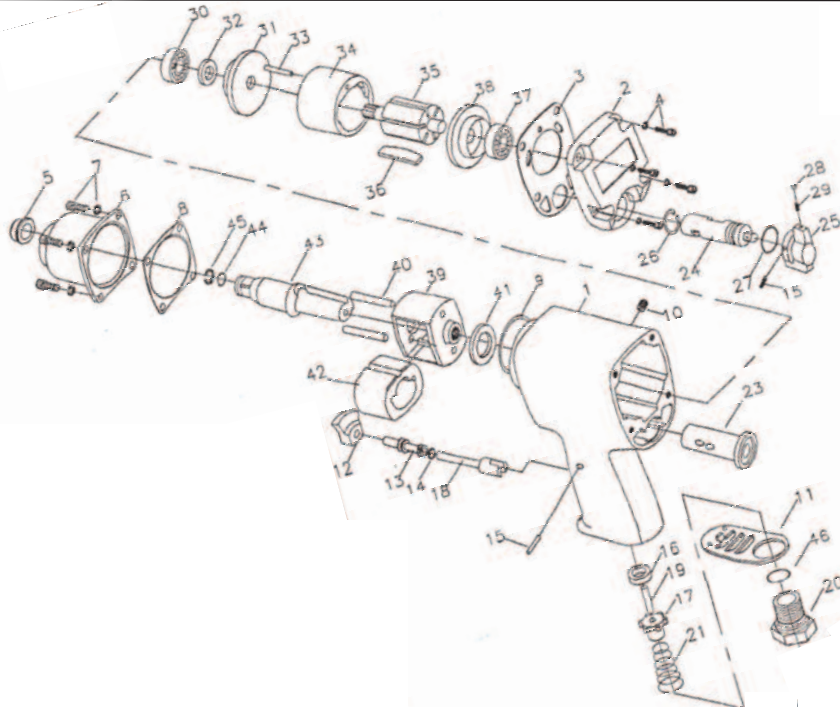
T-7739

3/8" Super Duty Impact Wrench



OILING INSTRUCTIONS:

OIL AFTER EACH USE WITH 2 OR 3 TABLE-SPoons OF AIRTOOL OIL THROUGH THE AIR INLET. RUN FOR ONE SECOND TO COAT ALL INTERNAL PARTS.



USE 90 PSI MAXIMUM

Ref.#	Part #	Description	Qty.
1	773901	Motor housing	1
2	773902	Rear cover	1
3	773903	Rear gasket	1
4	773904	Screw & washer	4
5	773905	Anvil bushing	1
6	773906	Clutch housing	1
7	773907	Bolt	4
8	773908	Front gasket	1
9	773909	O-ring	1
10	773910	Screw	1
11	773911	Muffler cover	1
12	773912	Trigger	1
13	773913	Trigger pin	1
14	773914	O-ring	1
15	773915	Spring Pin	2
16	773916	Throttle bushing	1
17	773917	Valve stem	1
18	773918	Throttle pin	1
19	773919	Valve pin	1
20	773920	Air inlet	1
21	773921	Spring	1
23	773923	Valve sleeve	1
24	773924	Reverse valve	1
25	773925	Reverse lever	1

Ref.#	Part #	Description	Qty.
26	773926	Retaining ring	1
27	773927	O-ring	1
28	773928	Ball	1
29	773929	Spring	1
30	773930	Bearing	1
31	773931	Front end plate	1
32	773932	Oil seal	1
33	773933	Cylinder pin	1
34	773934	Cylinder	1
35	773935	Rotor	1
36	773936	Rotor Blade (set of 6)	1 set
37	773937	Bearing	1
38	773938	Rear end plate	1
39	773939	Hammer cage	1
40	773940	Hammer pin	2
41	773941	Hammer washer	1
42	773942	Hammer	1
43	773943	Anvil	1
44	773944	O-ring	1
45	773945	Anvil collar	1
46	773946	O-ring	1

505 N. Railroad Ave.
P.O. Box 1117
Boynton Beach, Florida 33435

SEE OUR CATALOG
at
www.taylorpneumatic.com

PH. 561-732-1111
FAX 561-731-4412
Toll Free 800-805-8665

03/13 TPTCDPT
all rights reserved
COPYRIGHT 2013
final