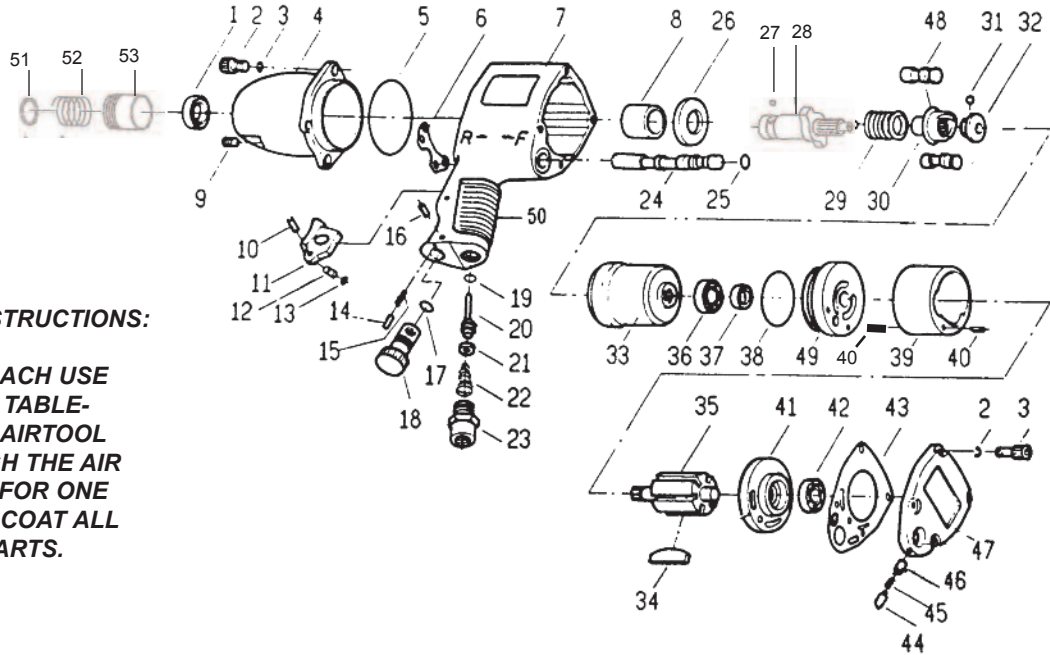


T-7744S

HD Impact Screwdriver

(accepts 1/4" APEX bits)



OILING INSTRUCTIONS:

OIL AFTER EACH USE WITH 2 OR 3 TABLE-SPOONS OF AIRTOOL OIL THROUGH THE AIR INLET. RUN FOR ONE SECOND TO COAT ALL INTERNAL PARTS.

USE 90 PSI MAXIMUM

Ref.#	Part #	Description	Qty.
1	7744A01	Oil Seal	1
2	7744A02	Screw	8
3	7744A03	Spring Washer	8
4	7744A04	Hammer Case	1
5	7744A05	"O" Ring	1
6	7744A06	Exhaust Deflector	1
7	7744A07	Motor Housing	1
8	7744A08	Bushing	1
9	7744A09	Screw	1
10	7744A10	Spring Pin	1
11	7744A11	Trigger	1
12	7744A12	Push Pin	1
13	7744A13	"O" Ring	1
14	7744A14	Pin	1
15	7744A15	Spring	1
16	7744A16	Spring Pin	1
17	7744A17	"O" Ring	1
18	7744A18	Air Regulator	1
19	7744A19	"O" Ring	1
20	7744A20	Valve Stem	1
21	7744A21	Retainer	1
22	7744A22	Spring	1
23	7744A23	Hose Adapter	1
24	7744A24	Reverse Valve	1
25	7744A25	"O" Ring	1

Ref.#	Part #	Description	Qty.
26	7744A26	Washer	1
27	7744S27	Ball	1
28	7744S28	Anvil	1
29	7744A29	Spring	1
30	7744A30	Hammer Cam	1
31	7744A31	Ball	1
32	7744A32	Spindle Guide	1
33	7744A33	Hammer Cage	1
34	7744A34	Rotor Blade(6 per set)	1 set
35	7744A35	Rotor	1
36	7744A36	Bearing	1
37	7744A37	Oil Seal	1
38	7744A38	"O" Ring	1
39	7744A39	Cylinder	1
40	7744A40	Pin	2
41	7744A41	Rear End Plate	1
42	7744A42	Bearing	1
43	7744A43	Rear Gasket	1
44	7744A44	Stop Pin	1
45	7744A45	Stop Pin Spring	1
46	7744A46	Bushing	1
47	7744A47	Rear Cover	1
48	7744A48	Hammer Pin	2
49	7744A49	Front End Plate	1
50	7744A50	Grip	1
51	7744S51	Retaining Ring	1
52	7744S52	Spring	1
53	7744S53	Ball Retainer	1

505 N. Railroad Ave.
P.O. Box 1117
Boynton Beach, Florida 33435

SEE OUR CATALOG
at
www.taylorpneumatic.com

PH. 561-732-1111
FAX 561-731-4412
Toll Free 800-805-8665

07/09 TPTCDPT
all rights reserved
COPYRIGHT 2009
final