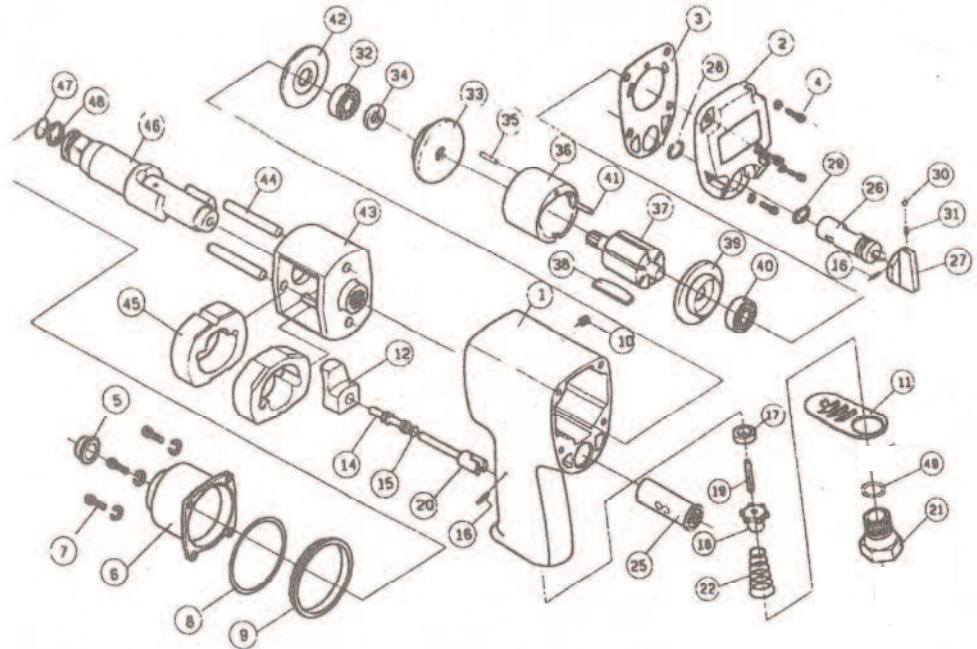


# T-7749 1/2" Impact Wrench

## T-7749L Extended 1/2" Impact



### OILING INSTRUCTIONS:

**OIL AFTER EACH USE WITH 2 OR 3 TABLE-SPOONS OF AIRTOOL OIL THROUGH THE AIR INLET. RUN FOR ONE SECOND TO COAT ALL INTERNAL PARTS.**

### USE 90 PSI MAXIMUM

Ref.#	Part #	Description	Qty.
1	774901	Motor Housing	1
2	774902	Rear Cover	1
3	774903	Rear Gasket	1
4	774904	Screw	4
5	774905	Anvil Bushing	1
6	774906	Clutch Housing	1
7	774907	Screw	4
8	774908	Front Gasket	1
9	774909	Hammer Case Pilot	1
10	774910	Screw	1
11	774911	Cover	1
12	774912	Trigger	1
14	774914	Trigger Bushing	1
15	774915	O-Ring	1
16	774916	Pin	2
17	774917	Valve Seat	1
18	774918	Valve Stem	1
19	774919	Valve Pin	1
20	774920	Throttle Pin	1
21	774921	Air Inlet	1
22	774922	Spring	1
25	774925	Valve Sleeve	1

Ref.#	Part #	Description	Qty.
26	774926	Reverse Valve	1
27	774927	Lever Reverse	1
28	774928	E-Ring	1
29	774929	O-Ring	1
30	774930	Ball	1
31	774931	Spring	1
32	774932	Bearing	1
33	774933	Front End Plate	1
34	774934	Oil Seal	1
35	774935	Pin	1
36	774936	Cylinder	1
37	774937	Rotor	1
38	774938	Rotor Blade (6 per set)	1 set
39	774939	Rear End Plate	1
40	774940	Bearing	1
41	774941	Pin	1
42	774942	Washer	1
43	774943	Hammer Cage	1
44	774944	Hammer Pin	2
45	774945	Hammer Dog	2
46	774946	Anvil	1
46	774946L	Anvil (2" Extended)	1
47	774947	O-Ring	1
48	774948	Anvil Collar	1
49	774949	O-Ring	1

505 N. Railroad Ave.  
P.O. Box 1117  
Boynton Beach, Florida 33435

**SEE OUR CATALOG**  
at  
[www.taylorpneumatic.com](http://www.taylorpneumatic.com)

PH. 561-732-1111  
FAX 561-731-4412  
Toll Free 800-805-8665

10/07 TPTCDPT  
all rights reserved  
COPYRIGHT 2007  
final