

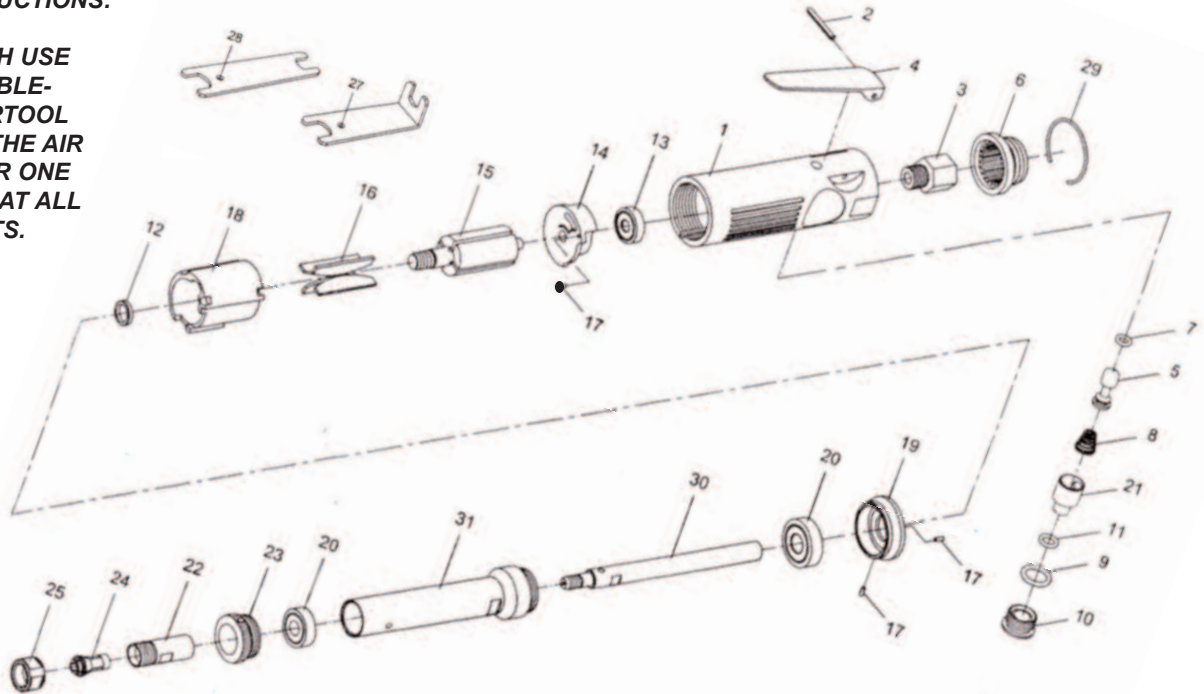
# T-7757REN

## 1/4" Extended Die Grinder



### OILING INSTRUCTIONS:

OIL AFTER EACH USE WITH 2 OR 3 TABLE-SPOONS OF AIRTOOL OIL THROUGH THE AIR INLET. RUN FOR ONE SECOND TO COAT ALL INTERNAL PARTS.



### USE 90 PSI MAXIMUM

Ref.#	Part #	Description	Qty.
1	7757RE01	Motor Housing	1
2	7757RE02	Lever Pin	1
3	7757RE03	Air Inlet	1
4	7757RE04	Throttle Lever	1
5	7757RE05	Valve Stem	1
6	7757RE06	Exhaust Deflector	1
7	7757RE07	O-Ring	1
8	7757RE08	Valve Spring	1
9	7757RE09	O-Ring	1
10	7757RE10	Throttle Valve Plug	1
11	7757RE11	O-Ring	1
12	7757RE12	Rotor Bushing	1
13	7757RE13	Bearing	1
14	7757RE14	Rear End Plate	1
15	7757REN15	Rotor	1
16	7757RE16	Rotor Blades (4 per set)	1 Set
17	7757RE17	Ball	3

Ref.#	Part #	Description	Qty.
18	7757RE18	Cylinder	1
19	7757RE19	Front End PLate	1
20	7757RE20	Bearing	2
21	7757RE21	Air Regulator	1
22	7757RE22	Spindle	1
23	7757REN23	Retainer	1
24	T-7504	1/4" Collet	1
24	T-7508	1/8" Collet (optional)	1
25	7757RE25	Collet Nut	1
27	7757RE27	Angle Wrench	1
28	7757RE28	Double End Wrench	1
29	7757RE29	Retainer Ring	1
30	7757REN30	Extension Bar	1
31	7757REN31	Extension Housing	1

505 N. Railroad Ave.  
P.O. Box 1117  
Boynton Beach, Florida 33435

**SEE OUR CATALOG**  
at  
[www.taylorpneumatic.com](http://www.taylorpneumatic.com)

PH. 561-732-1111  
FAX 561-731-4412  
Toll Free 800-805-8665

11/07 TPTCDPT  
all rights reserved  
COPYRIGHT 2007  
final