

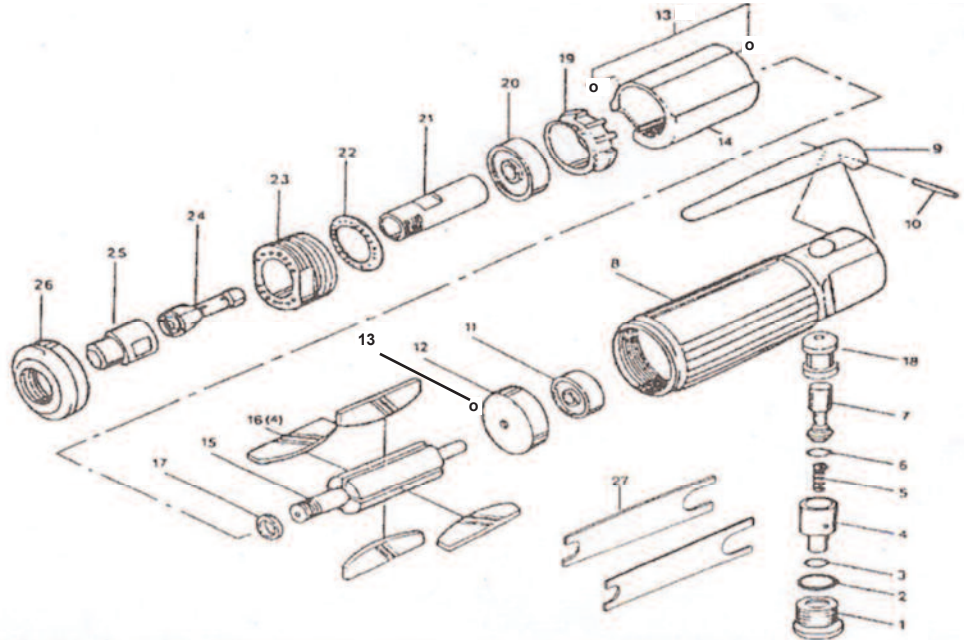
T- 7758

1/4" Mini Die Grinder



OILING INSTRUCTIONS:

OIL AFTER EACH USE WITH 1 OR 2 TABLE-SPOONS OF AIRTOOL OIL THROUGH THE AIR INLET. RUN FOR ONE SECOND TO COAT ALL INTERNAL PARTS.



USE 90 PSI MAXIMUM

Ref.#	Part #	Description	Qty.
1	775801	Valve Screw	1
2	775802	"O" Ring	1
3	775803	"O" Ring	1
4	775804	Air Regulator	1
5	775805	Throttle Valve Spring	1
6	775806	"O" Ring	1
7	775807	Throttle Valve	1
8	775808	Motor Housing	1
9	775809	Throttle Lever	1
10	775810	Throttle Lever Pin	1
11	775811	Bearing	1
12	775812	Rear End Plate	1
13	775813	Ball	3
14	775814	Cylinder	1

Ref.#	Part #	Description	Qty.
15	775815	Rotor	1
16	775816	Rotor Blade(4 per set)	1 set
17	775817	Rotor Collar	1
18	775818	Throttle Valve Bushing	1
19	775819	Front End Plate	1
20	775820	Bearing	1
21	775821	Spindle	1
22	775822	Exhaust Muffler	1
23	775823	Lock Nut	1
24	T-7504	1/4" Collet	1
24	T-7508	1/8" Collet (optional)	
25	775825	Collet Nut	1
26	775826	Housing Cap	1
27	775827	Spanner Wrench	2

505 N. Railroad Ave.
P.O. Box 1117
Boynton Beach, Florida 33435

SEE OUR CATALOG
at
www.taylorpneumatic.com

PH. 561-732-1111
FAX 561-731-4412
Toll Free 800-805-8665

11/07 TPTCDPT
all rights reserved
COPYRIGHT 2007
final