

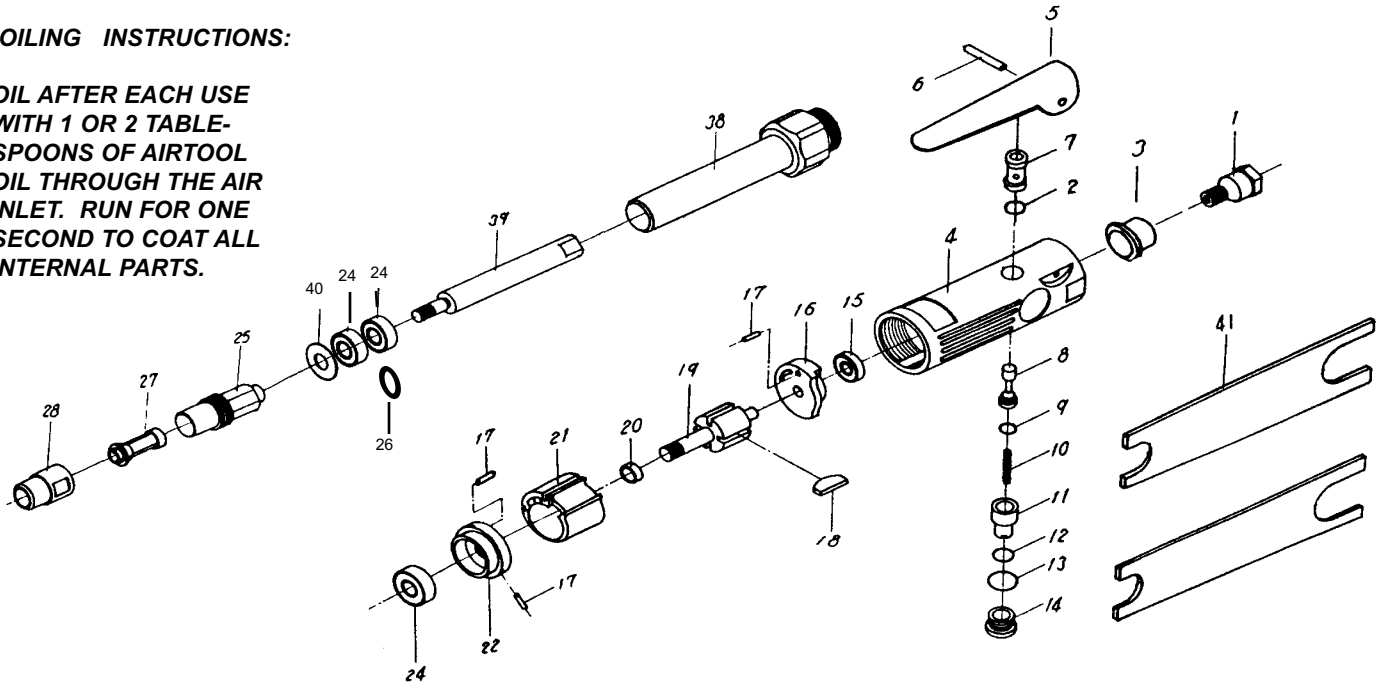
T- 7758RE

1/4" Extended Die Grinder

Taylor
Pneumatic Tool Company

OILING INSTRUCTIONS:

OIL AFTER EACH USE WITH 1 OR 2 TABLE-SPOONS OF AIRTOOL OIL THROUGH THE AIR INLET. RUN FOR ONE SECOND TO COAT ALL INTERNAL PARTS.



USE 90 PSI MAXIMUM

Ref.#	Part #	Description	Qty.
1	7758RE01	Air Inlet	1
2	7758RE02	"O" Ring	1
3	7758RE03	Exhaust Sleeve	1
4	7758RE04	Housing	1
5	7758RE05	Throttle Lever	1
6	7758RE06	Lever Pin	1
7	7758RE07	Throttle Valve	1
8	7758RE08	Valve Stem	1
9	7758RE09	"O" Ring	1
10	7758RE10	Spring	1
11	7758RE11	Air Regulator	1
12	7758RE12	"O" Ring	1
13	7758RE13	"O" Ring	1
14	7758RE14	Valve Screw	1
15	7758RE15	Bearing	1

Ref.#	Part #	Description	Qty.
16	7758RE16	Rear End Plate	1
17	7758RE17	Pin	3
18	7758RE18	Rotor Blade	4
19	7758RE19	Rotor	1
20	7758RE20	Rotor Collar	1
21	7758RE21	Cylinder	1
22	7758RE22	Front End Plate	1
24	7758RE24	Bearing	3
25	7758RE25	Collet Spindle	1
26	7758RE26	Spacer	1
27	T-7504	1/4" Collet	1
	T-7508 _(optional)	1/8" Collet	
28	7758RE28	Collet Nut	1
38	7758RE38	Ext. Housing/Lock Nut	1
39	7758RE39	Extension Shaft	1
40	7758RE40	Washer	1
41	7758RE41	Double Ended Wrench	2

505 N. Railroad Ave.
P.O. Box 1117
Boynton Beach, Florida 33435

SEE OUR CATALOG
at
www.taylorpneumatic.com

PH. 561-732-1111
FAX 561-731-4412
Toll Free 800-805-8665

11/07 TPTCDPT
all rights reserved
COPYRIGHT 2007
final